

Main Features:-

- ◆ EC100—EC320, larger on request
- ◆ Anodized aluminium (AL6063)
- ◆ The Namur interface according to VDI/VDE 3845
- ◆ Supply pressure max 10 bar

*Temperature and pressure determined by valve body, seat etc.



SERIES: EC

MANUFACTURER: **Stafsjö** SINCE 1666

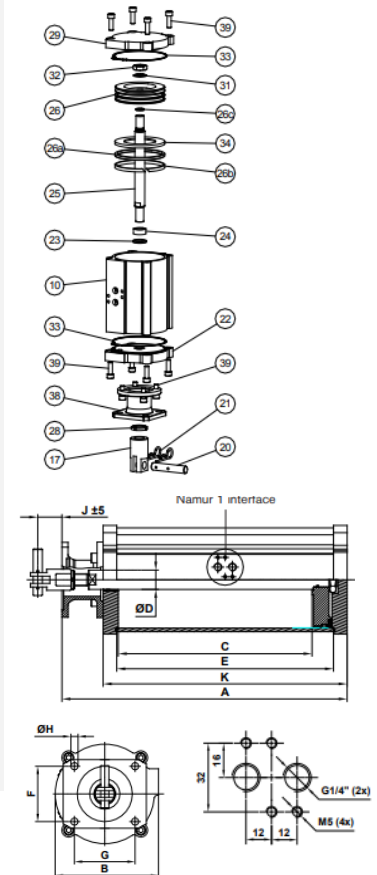


Solenoid valves can easily be installed directly onto the cylinder according to the Namur interface VDI/VDE 3845. In this way the solenoid valve-cylinder unit becomes really compact

EC100 MATERIALS OF CONSTRUCTION

ITEM	PART	MATERIAL
10	Cylinder barrel	Anodized Aluminium
17	Gate Clevis	Stainless steel EN 1.4305
20	Clevis Pin	Stainless steel EN 1.4305
21	Split Pins	Stainless steel EN 1.4305
22	Lower Cover	Powder Coated Aluminium
23	Lower Cover O'Ring	Nitrile
24	Lower Cover Bushing	Bronze
25	Piston Rod	Steel (C45E), phosphated and chromed
26	Piston	Aluminium
26a	Piston O'Ring	Nitrile
26b	Piston Bearing	POM
26c	Piston Ron O'Ring	Nitrile
28	Locking Nut	Stainless steel EN 1.4305
29	Top Cover	Powder Coated Aluminium
31	Piston Washer	Stainless Steel
32	Piston Nut	Stainless Steel
33	Cover O'Ring Sealing	Nitrile

DIMENSIONAL DRAWINGS



Type	A	B	C	D	E	F	G	H	J	K	Kg	Air
EC100-90	213	118	90	20	124	52	61	11	25	158	4.1	6
EC100-115	238	118	115	20	149	52	61	11	25	183	4.5	7
EC100-140	263	118	140	20	173	52	61	11	25	208	4.6	9
EC100-165	288	118	165	20	199	52	61	11	25	233	4.9	10

T +44 (0)1386 552369

E sales@allvalves.co.uk

W www.allvalves.co.uk

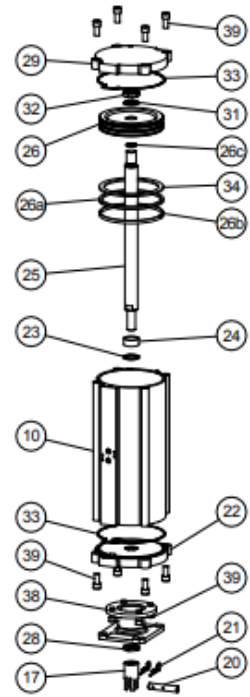
F +44 (0)1386 554227



Stafsjo, a Swedish manufacturer of Knife Gate Valves offering the highest quality of manual and actuated knife gate valves for various applications, from DN50 to DN1200.

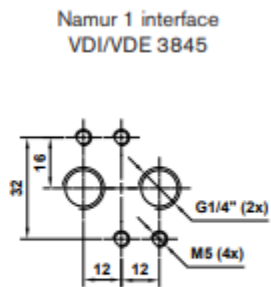
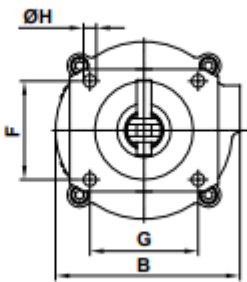
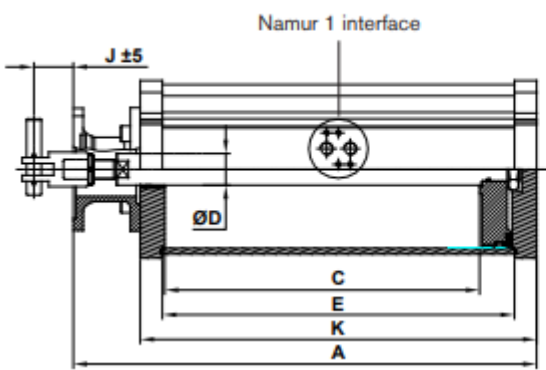
SERIES: EC

ITEM	PART	MATERIAL
10	Cylinder barrel	Anodized Aluminium
17	Gate Clevis	Stainless steel EN 1.4305
20	Clevis Pin	Stainless steel EN 1.4305
21	Split Pins	Stainless steel EN 1.4305
22	Lower Cover	Powder Coated Aluminium
23	Lower Cover O'Ring	Nitrile
24	Lower Cover Bushing	Bronze
25	Piston Rod	Steel (C45E), phosphated and chromed
26	Piston	Aluminium
26a	Piston O'Ring	Nitrile
26b	Piston Bearing	POM
26c	Piston Ron O'Ring	Nitrile
28	Locking Nut	Stainless steel EN 1.4305
29	Top Cover	Powder Coated Aluminium
31	Piston Washer	Stainless Steel
32	Piston Nut	Stainless Steel
33	Cover O'Ring Sealing	Nitrile



EC160

Type	A	B	C	D	E	F	G	H	J	K	Kg	Air
EC160-115	285	188	115	32	153	52	61	11	25	198	10	18
EC160-140	310	188	140	32	178	52	61	11	25	223	10.5	22
EC160-165	335	188	165	32	203	52	61	11	25	248	11	26
EC160-215	366	188	215	32	253	100	110	13	40	298	13	34
EC160-270	421	188	270	32	308	100	110	13	40	353	14	43
EC160-320	471	188	320	32	358	100	110	13	40	403	15	51



T +44 (0)1386 552369

E sales@allvalves.co.uk

W www.allvalves.co.uk

F +44 (0)1386 554227

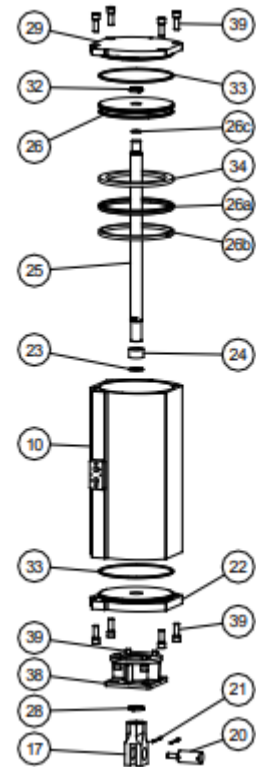


Stafsjo, a Swedish manufacturer of Knife Gate Valves offering the highest quality of manual and actuated knife gate valves for various applications, from DN50 to DN1200.

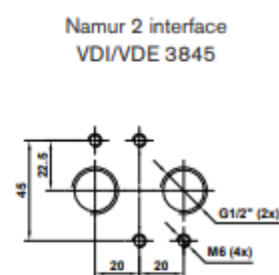
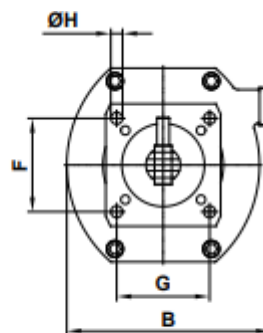
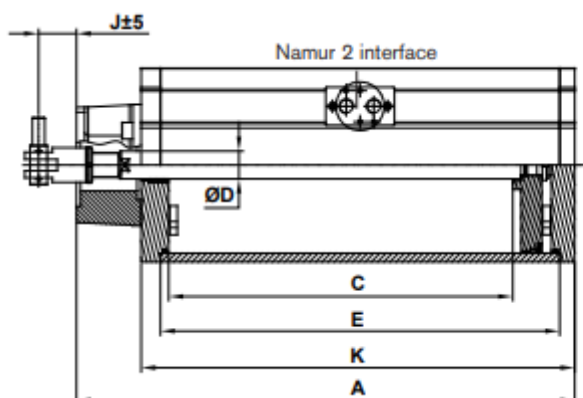
SERIES: EC

EC200

ITEM	PART	MATERIAL
10	Cylinder barrel	Anodized Aluminium
17	Gate Clevis	Stainless steel EN 1.4305
20	Clevis Pin	Stainless steel EN 1.4305
21	Split Pins	Stainless steel EN 1.4305
22	Lower Cover	Powder Coated Aluminium
23	Lower Cover O'Ring	Nitrile
24	Lower Cover Bushing	Bronze
25	Piston Rod	Steel (C45E), phosphated and chromed
26	Piston	Aluminium
26a	Piston O'Ring	Nitrile
26b	Piston Bearing	POM
26c	Piston Ron O'Ring	Nitrile
28	Locking Nut	Stainless steel EN 1.4305
29	Top Cover	Powder Coated Aluminium
32	Piston Nut	Stainless Steel
33	Cover O'Ring Sealing	Nitrile
34	Magnetic Washer	Plastoferrite



Type	A	B	C	D	E	F	G	H	J	K	Kg	Air
EC200-215	432	245	215	40	290	100	110	13	40	338	30	53
EC200-270	487	245	270	40	345	100	110	13	40	393	32.5	67
EC200-320	537	245	320	40	395	100	110	13	40	443	34.5	80
EC200-350	567	245	350	40	425	135	135	17	55	473	36	87
EC200-400	637	245	400	40	475	160	160	21	55	523	46	99
EC200-450	667	245	450	40	525	160	160	21	55	573	50	112
EC200-550	787	245	550	40	625	160	160	21	55	673	54.5	136



T +44 (0)1386 552369
E sales@allvalves.co.uk

W www.allvalves.co.uk
F +44 (0)1386 554227

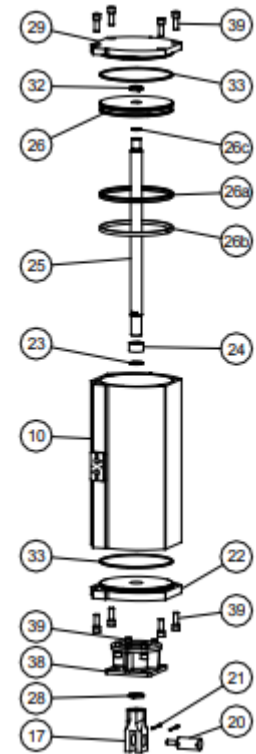


Stafsjo, a Swedish manufacturer of Knife Gate Valves offering the highest quality of manual and actuated knife gate valves for various applications, from DN50 to DN1200.

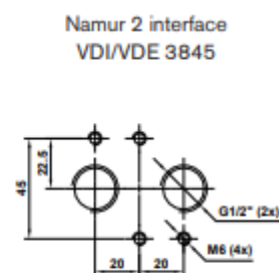
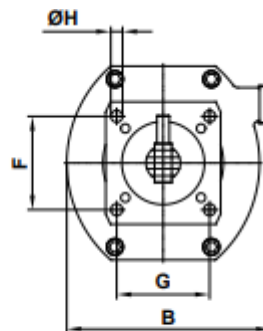
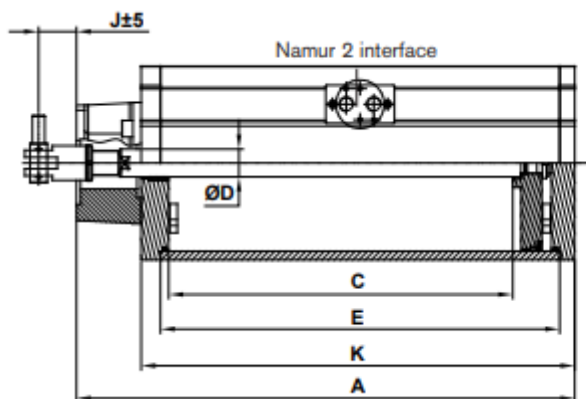
SERIES: EC

EC250

ITEM	PART	MATERIAL
10	Cylinder barrel	Anodized Aluminium
17	Gate Clevis	Stainless steel EN 1.4305
20	Clevis Pin	Stainless steel EN 1.4305
21	Split Pins	Stainless steel EN 1.4305
22	Lower Cover	Powder Coated Aluminium
23	Lower Cover O'Ring	Nitrile
24	Lower Cover Bushing	Bronze
25	Piston Rod	Steel (C45E), phosphated and chromed
26	Piston	Aluminium
26a	Piston O'Ring	Nitrile
26b	Piston Bearing	POM
26c	Piston Ron O'Ring	Nitrile
28	Locking Nut	Stainless steel EN 1.4305
29	Top Cover	Powder Coated Aluminium
32	Piston Nut	Stainless Steel
33	Cover O'Ring Sealing	Nitrile
34	Magnetic Washer	Plastoferrite



Type	A	B	C	D	E	F	G	H	J	K	Kg	Air
EC250-350	574	296	350	40	430	135	135	17	55	480	48	135
EC250-400	644	296	400	40	480	135	135	17	55	530	58	154
EC250-450	694	296	450	40	530	160	160	21	55	580	63.5	173
EC250-500	744	296	500	40	580	160	160	21	55	630	71	193
EC250-575	819	296	575	40	655	230	230	26	55	705	75	221
EC250-630	874	296	630	40	710	200	200	21	55	760	78.5	243
EC250-800	1044	296	800	40	880	230	230	26	55	930	90	309



T +44 (0)1386 552369
E sales@allvalves.co.uk

W www.allvalves.co.uk
F +44 (0)1386 554227

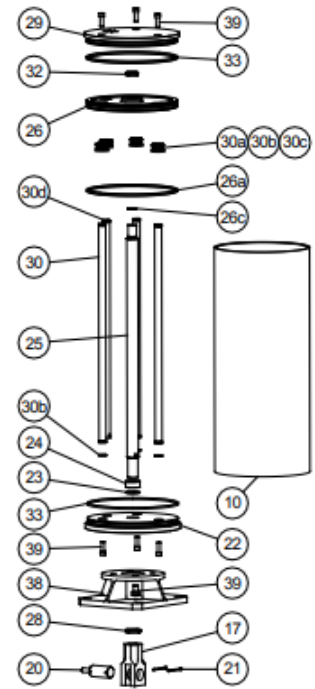


Stafsjo, a Swedish manufacturer of Knife Gate Valves offering the highest quality of manual and actuated knife gate valves for various applications, from DN50 to DN1200.

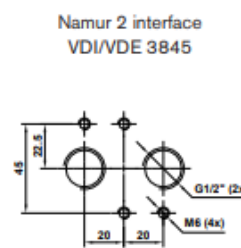
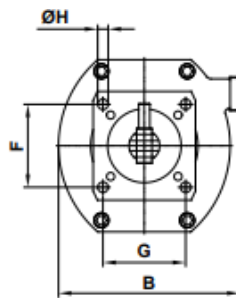
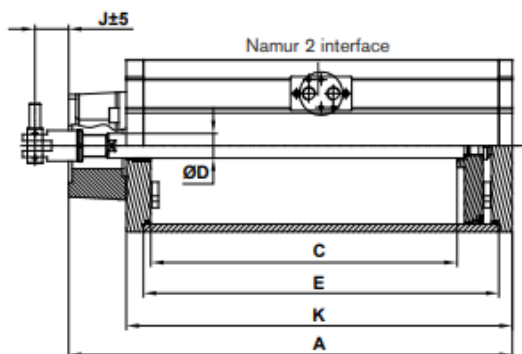
SERIES: EC

EC320

ITEM	PART	MATERIAL
10	Cylinder barrel	Anodized Aluminium
17	Gate Clevis	Stainless steel EN 1.4305
20	Clevis Pin	Stainless steel EN 1.4305
21	Split Pins	Stainless steel EN 1.4305
22	Lower Cover	Powder Coated Aluminium
23	Lower Cover O'Ring	Nitrile
24	Lower Cover Bushing	Bronze
25	Piston Rod	Steel (C45E), phosphated and chromed
26	Piston	Aluminium
26a	Piston O'Ring	Nitrile
26c	Piston Ron O'Ring	Nitrile
28	Locking Nut	Stainless steel EN 1.4305
29	Top Cover	Powder Coated Aluminium
30	Guide Bar	Stainless Steel AISI 304
30b	Guide bar O'Ring	Nitrile
32	Locking Nut	Steel, zinc coated
33	Cover O'Ring Sealing	Nitrile
39	Hex socket screws	Stainless Steel



Type	A	B	C	D	E	F	G	H	J	K	Kg	Air
EC250-350	574	296	350	40	430	135	135	17	55	480	48	135
EC250-400	644	296	400	40	480	135	135	17	55	530	58	154
EC250-450	694	296	450	40	530	160	160	21	55	580	63.5	173
EC250-500	744	296	500	40	580	160	160	21	55	630	71	193
EC250-575	819	296	575	40	655	230	230	26	55	705	75	221
EC250-630	874	296	630	40	710	200	200	21	55	760	78.5	243
EC250-800	1044	296	800	40	880	230	230	26	55	930	90	309



T +44 (0)1386 552369

E sales@allvalves.co.uk

W www.allvalves.co.uk

F +44 (0)1386 554227