



## Main Features:-

- ◆ Gate valve with elastic closing
- ◆ DN50 to DN300 PN16
- ◆ Full Port, minimum head losses
- ◆ Max. Working Temperature 80C \*
- ◆ Genebre Series 2102

\*Temperature and pressure determined by valve body, seat etc.

## Suitable Applications & Approvals:



HVAC



INDUSTRY

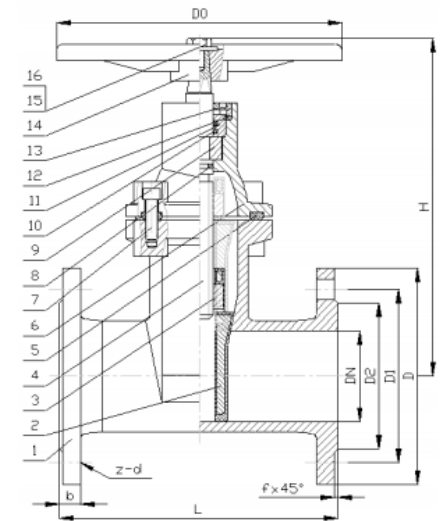


## SERIES: 80222

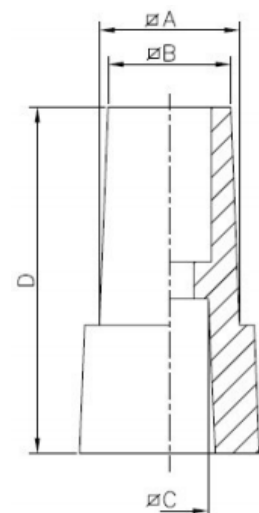
MANUFACTURER: **GENEBRE**

VALVE MATERIALS & DIMENSIONS

ITEM	SECTION	MATERIAL	ADDITIONAL INFO
1	Body	Ductile Iron GJS-500	Epoxy Coated
2	Wedge Body	Ductile Iron GJS-400+EPDM	n/a
3	Stem Nut	Brass	n/a
4	Stem	AISI 410	n/a
5	Body Gasket	EPDM	n/a
6	Bonnet	Ductile Iron GJS-500	Epoxy Coated
7	Screw	Carbon Steel	n/a
8	O'Ring	EPDM	n/a
11	Packing Nut	Brass	n/a
12	Washer	Nylon	n/a
13	Anti-Dust Ring	ABS	n/a
15	Washer	Carbon Steel	Zinc Plated



REF	SIZE	PN	DN	H	L	D	D0	D1	D2
80222-09	2"	16	50	240	150	165	180	180	99
80222-10	2 1/2"	16	65	270	170	185	200	200	118
80222-11	3"	16	80	300	180	200	200	200	132
80222-12	4"	16	100	330	190	220	220	220	156
80222-13	5"	16	125	375	200	250	250	250	184
80222-14	6"	16	150	425	210	285	250	250	211
80222-16	8"	16	200	515	230	340	280	280	166
80222-18	10"	16	250	600	250	405	320	320	319
80222-20	12"	16	300	685	270	460	350	350	370



T +44 (0)1386 552369

E sales@allvalves.co.uk

W www.allvalves.co.uk

F +44 (0)1386



Genebre are a global brand of industrial valves with large stocks held for fast delivery on various type of valves, sizes, end connections and materials.

**SERIES: 80222**

TORQUE / Kv VALUES / PRESSURE & TEMP CHART

REF	SIZE	PN	DN	b	f	Z-d	Kg	A	B	C	D
80222-09	2"	16	50	19	3	4-19	9.5	31	29	12.5	45
80222-10	2 1/2"	16	65	19	3	4-19	13	31	29	12.5	45
80222-11	3"	16	80	19	3	8-19	15	31	29	12.5	45
80222-12	4"	16	100	19	3	8-19	19	31	29	12.5	45
80222-13	5"	16	125	19	3	8-23	26	31	29	17.5	45
80222-14	6"	16	150	19	3	8-23	35	31	29	17.5	45
80222-16	8"	16	200	20	3	12-23	57	31.5	29	17.5	76
80222-18	10"	16	250	22	3	12-28	76	31.5	29	21.5	76
80222-20	12"	16	300	24.5	4	12-28	120	31.5	29	21.5	76

REF	SIZE	TORQUE Nm	REF	SIZE	Kv	TORQUE :
80222-09	2"	48	2102-04	1/2"	250	<p>- The liquid listed in the table are initial breakaway torques, taken with liquids and lubricant media.</p> <p>- Please regard these as approximate values, as the objective value on different factors</p>
80222-10	2 1/2"	60	2102-05	3/4"	410	
80222-11	3"	60	2102-06	1"	590	
80222-12	4"	80	2102-07	1 1/4"	1050	
80222-13	5"	100	2102-08	1 1/2"	1850	
80222-14	6"	120	2102-09	2"	2620	
80222-16	8"	150	2102-10	2 1/2"	4850	
80222-18	10"	170	2102-11	3"	7600	
80222-20	12"	200	2102-12	4"	11200	

## ALL VALVES

Offering a full range of actuated valve packages, manual valve range, pipe fittings and pumps, we have a product for all your requirements. As an ISO 9001-2015 Quality Approved and certified company, All Valves offer a quality service from pre-sale to post sale. Shipping millions of pounds in value of manual valve and actuated valve packages all over the world since its formation, All Valves are a trusted valve and actuator supplier to many companies all over the world. Working with the leading brands in most industries.



**T** +44 (0)1386 552369

**E** sales@allvalves.co.uk

**W** www.allvalves.co.uk

**F** +44 (0)1386