



## Main Features:-

- ◆ Non-Return Sanitary Valve
- ◆ Clamp Ends in Inch
- ◆ Max. Working pressure 10 bar
- ◆ Working Temperature -10 / 120 °C
- ◆ Made of AISI 316L. EPDM seat.

\*Temperature and pressure determined by valve body, seat etc.



## Suitable Applications & Approvals:



HVAC



OIL



GAS



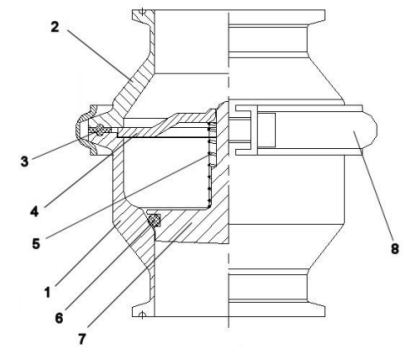
INDUSTRY

## SERIES: 80619

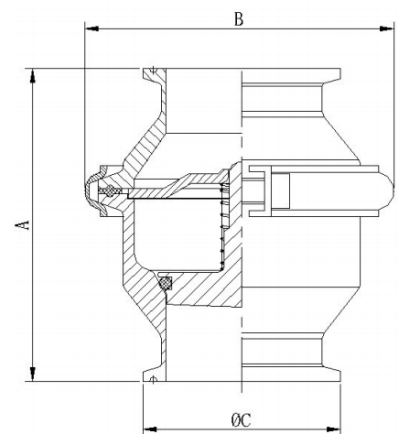
MANUFACTURER: **GENEBRE**

VALVE MATERIALS & DIMENSIONS

ITEM	SECTION	MATERIAL	ADDITIONAL INFO / OPTIONS
1	Body	AISI 316L	-
2	Body Cap	AISI 316L	-
3	Gasket	Silicone	K80619
4	Bush Guide	AISI 316L	-
5	Spring	AISI 301	K80619
6	Seat	EPDM	K80619
7	Stem	AISI 316L	-
8	Clamp B. Lock	AISI 304	Mechanical Polished



REF	SIZE	DN	A	B	C	Kg
80619-06	1"	25	103	86	50.5	0.89
80619-08	1 1/2"	40	103	86	50.5	0.85
80619-09	2"	50	114	100	64	1.36
80619-10	2 1/2"	65	123	115	77.5	1.73
80619-11	3"	80	143	128	91	2.81
80619-12	4"	100	182	164	119	5.68



T +44 (0)1386 552369

E sales@allvalves.co.uk

W www.allvalves.co.uk

F +44 (0)1386 554227



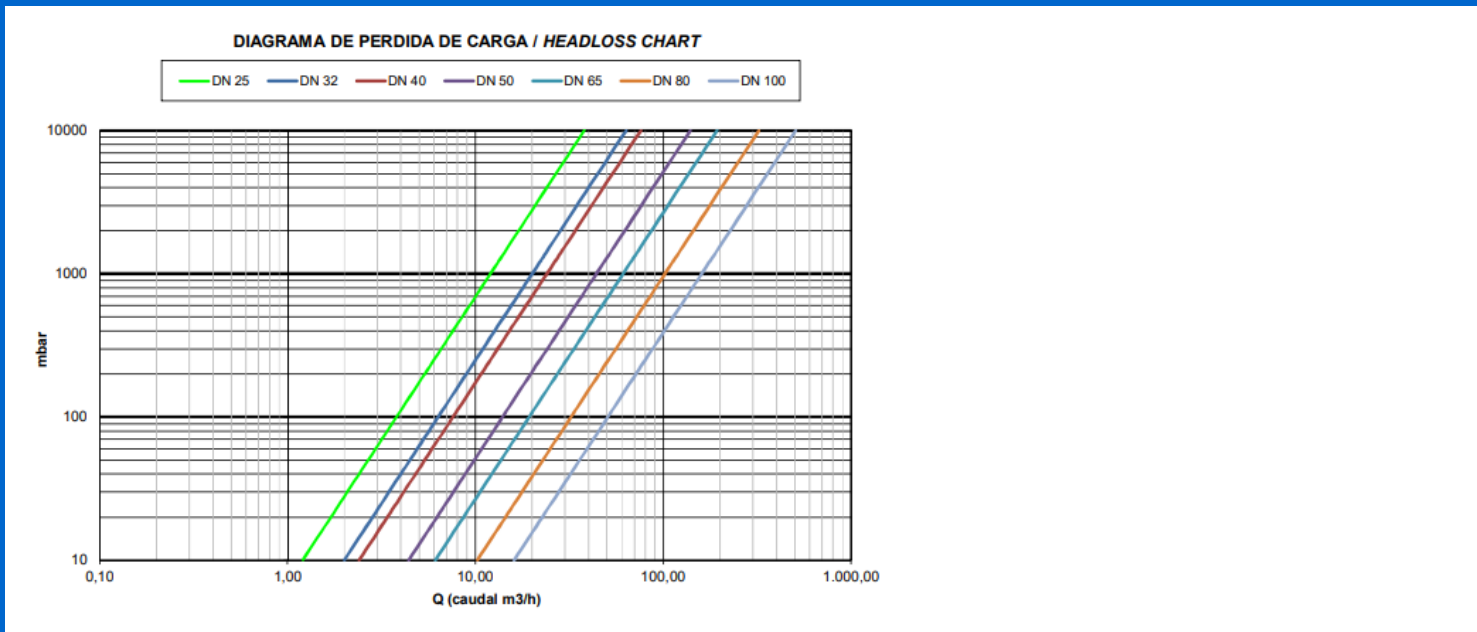
Genebre are a global brand of industrial valves with large stocks held for fast delivery on various type of valves, sizes, end connections and materials.

## SERIES: 80619

TORQUE / Kv VALUES / PRESSURE & TEMP CHART

REF	SIZE	Kv	KV VALUES:
80619-06	1"	12	- The Kv values (M3 per hour) is the flow of water at a temperature of 5C to 30C (41F to 86F) at p of 1 bar  - For further information, please email sales@allvalves.co.uk
80619-08	1 1/2"	24	
80619-09	2"	44	
80619-10	2 1/2"	61	
80619-11	3"	102	
80619-12	4"	160	

### PRESSURE AND TEMPERATURE CHART



### More Info?

For more information visit our website [www.allvalves.co.uk](http://www.allvalves.co.uk) or send us an email at [sales@allvalves.co.uk](mailto:sales@allvalves.co.uk) or call us on 01386552369.

AllValves Online™ have used decades of experience in the valve industry to select a range of products that match the Allvalves Online ethos - value for money. All Valves Products are from reputable sources and have been sold in significant quantities for many years, are installed in a wide variety of applications, and are known to be durable in service.



T +44 (0)1386 552369

E sales@allvalves.co.uk

W www.allvalves.co.uk

F +44 (0)1386 554227