



Main Features:-

- ◆ Non-Return Sanitary Valve
- ◆ 80617- Welded, 80618- Threaded-Welded
- ◆ Max. Working pressure 10 bar
- ◆ Working Temperature -10 / 120 °C
- ◆ Made of AISI 304. EPDM seat.

*Temperature and pressure determined by valve body, seat etc.



Suitable Applications & Approvals:



HVAC



OIL



GAS



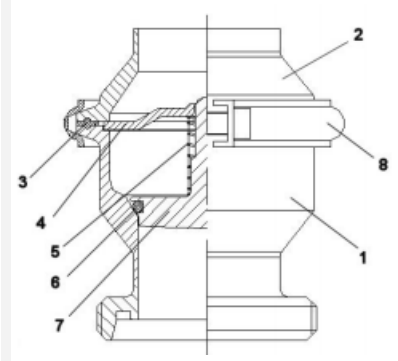
INDUSTRY

SERIES: 80617/80618

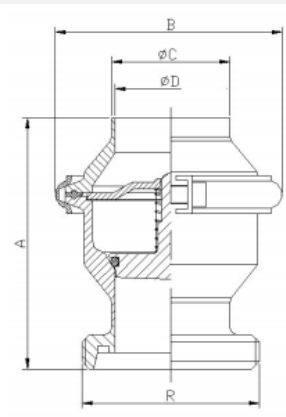
MANUFACTURER: **GENEBRE**

VALVE MATERIALS & DIMENSIONS

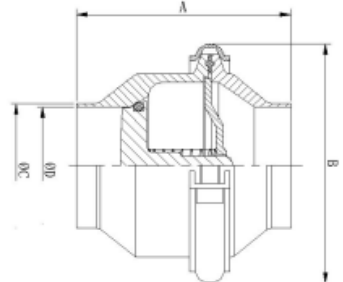
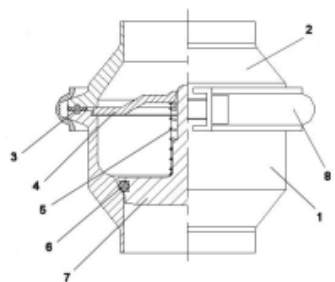
ITEM	SECTION	MATERIAL	ADDITIONAL INFO / OPTIONS
1	Body	AISI 304	-
2	Body Cap	AISI 304	-
3	Gasket	Silicone	K2934-2935
4	Bush Guide	AISI 304	-
5	Spring	AISI 301	K2934-2935
6	Seat	EPDM	K2934-2935
7	Stem	AISI 304	-
8	Clamp B. Lock	AISI 304	Mechanical Polished



REF	SIZE	A 2936	A 2935	B 2936	B 2935	C	D	R	Kg 2935	Kg 2936
293x-06	1"	95	76.5	92	86	29	26	52x1/6"	0.75	0.86
293x-07	1 1/4"	95	76.5	92	86	35	32	58x1/6"	0.77	0.89
293x-08	1 1/2"	95	76.5	92	86	41	38	65x1/6"	0.79	0.9
293x-09	2"	107	88	103	99.6	53	50	78x1/6"	1.2	1.4
293x-10	2 1/2"	137	96.5	140	114.6	70	66	95x1/6"	1.45	1.73
293x-11	3"	162	116.5	159	127.6	85	81	110x1/4"	2.45	2.87
293x-12	4"	198	156.5	181	163.6	104	100	130x1/4"	5.2	5.78



80618



80617



T +44 (0)1386 552369

W www.allvalves.co.uk

E sales@allvalves.co.uk

F +44 (0)1386 554227



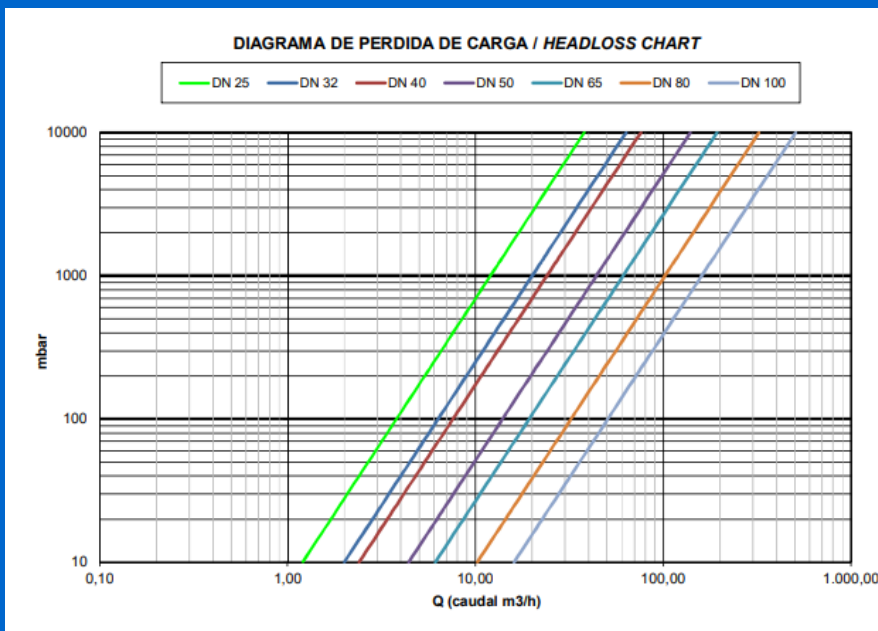
Genebre are a global brand of industrial valves with large stocks held for fast delivery on various type of valves, sizes, end connections and materials.

SERIES: 80617/80618

TORQUE / Kv VALUES / PRESSURE & TEMP CHART

REF	SIZE	Kv	KV VALUES:
293x-06	1"	12	- The Kv values (M3 per hour) is the flow of water at a temperature of 5C to 30C (41F to 86F) at p of 1 bar - For further information, please email sales@allvalves.co.uk
293x-07	1 1/4"	20	
293x-08	1 1/2"	24	
293x-09	2"	44	
293x-10	2 1/2"	61	
293x-11	3"	102	
293x-12	4"	160	

PRESSURE AND TEMPERATURE CHART



More Info?

For more information visit our website www.allvalves.co.uk or send us an email at sales@allvalves.co.uk or call us on 01386552369.

AllValves Online™ have used decades of experience in the valve industry to select a range of products that match the Allvalves Online ethos - value for money. All Valves Products are from reputable sources and have been sold in significant quantities for many years, are installed in a wide variety of applications, and are known to be durable in service.



T +44 (0)1386 552369

E sales@allvalves.co.uk

W www.allvalves.co.uk

F +44 (0)1386 554227