



Main Features:-

- ◆ Gate Valve PN20
- ◆ BSP F-F Ends (80604—NPT)
- ◆ Brass construction
- ◆ Max. Working pressure 20 Bar
- ◆ Max. Working temperature 0°C to 180°C

*Temperature and pressure determined by valve body, seat etc.

Suitable Applications & Approvals:



HVAC



OIL



GAS



INDUSTRY



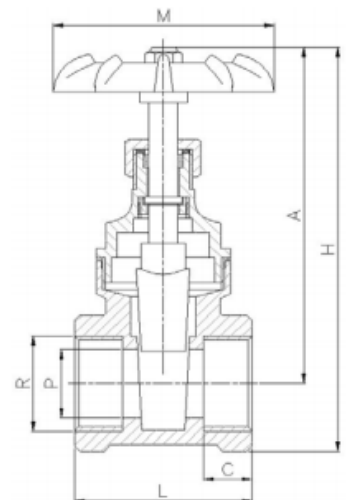
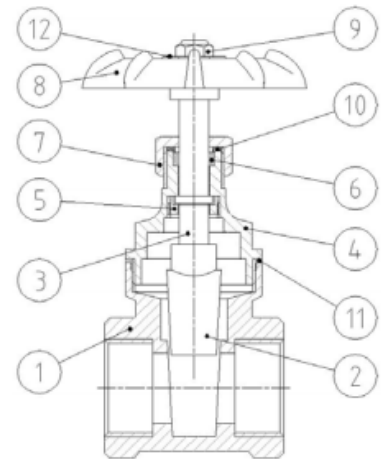
SERIES: 80603/80604

MANUFACTURER: **GENEBRE**

VALVE MATERIALS

ITEM	SECTION	MATERIAL	ADDITIONAL INFO / OPTIONS
1	Body	Brass	Peened
2	Wedge	Brass	n/a
3	Stem	Brass	n/a
4	Bonnet	Brass	Peened
5	Screwed Ring	Brass	n/a
6	Packing Ring	PTFE	n/a
7	Packing Nut	Brass	n/a
8	Handwheel	Aluminium	Painted
9	Nut	Steel	n/a
10	Plate	Brass	n/a
11	Gasket	Fiber	n/a
12	Plate	Aluminium	Painted

REF	SIZE	P	L	C	A	H	M	Kg
80603-04	1/2"	13	15.5	13	80	94.5	55	0.247
80603-05	3/4"	20	50	14.5	93	111.5	60	0.375
80603-06	1"	24	56	17	105	127	65	0.500
80603-07	1 1/4"	32	61	17	122.5	150.5	75	0.778
80603-08	1 1/2"	37	65	19	132.5	163.5	80	1.010
80603-09	2"	47	74	21.5	150.5	189	90	1.490
80603-10	2 1/2"	59	81	22.5	185.5	232.3	110	2.285
80603-11	3"	70	84	22.5	205	260.8	120	3.125
80603-12	4"	92	102	27.5	265	335	140	6.135



T +44 (0)1386 552369

E sales@allvalves.co.uk

W www.allvalves.co.uk

F +44 (0)1386 554227



Genebre are a global brand of industrial valves with large stocks held for fast delivery on various type of valves, sizes, end connections and materials.

SERIES: 80603/80604

REF

SIZE

Kv

KV VALUES:

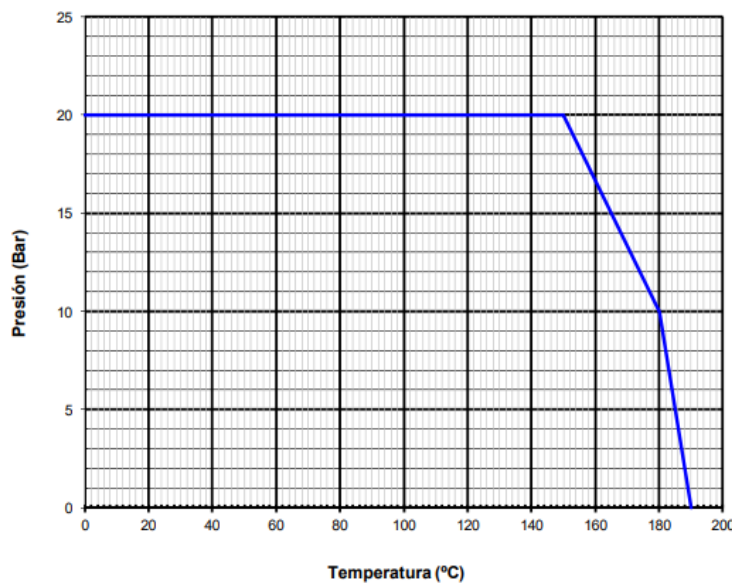
80603-04	1/2"	14
80603-05	3/4"	31
80603-06	1"	446
80603-07	1 1/4"	86
80603-08	1 1/2"	152
80603-09	2"	225
80603-10	2 1/2"	405
80603-11	3"	540
80603-12	4"	750

- The Kv values (M3 per hour) is the flow of water at a temperature of 5C to 30C (41F to 86F) at p of 1 bar

- For further information, please email sales@allvalves.co.uk

TORQUE / Kv VALUES / DIMENSIONS

PRESSURE TEMPERATURE RATING



ALL VALVES

Offering a full range of actuated valve packages, manual valve range, pipe fittings and pumps, we have a product for all your requirements. As an ISO 9001-2015 Quality Approved and certified company, All Valves offer a quality service from pre-sale to post sale. Shipping millions of pounds in value of manual valve and actuated valve packages all over the world since its formation, All Valves are a trusted valve and actuator supplier to many companies all over the world. Working with the leading brands in most industries.



T +44 (0)1386 552369

E sales@allvalves.co.uk

W www.allvalves.co.uk

F +44 (0)1386 554227