



Main Features:-

- ◆ Union 3 Pieces
- ◆ Made of AISI 316, Sealing with PTFE Gasket
- ◆ BSP (80428—NPT)
- ◆ Working Temperature -25 to +180C *
- ◆ Max. Working pressure 20 Bar

*Temperature and pressure determined by valve body, seat etc.



Suitable Applications & Approvals:



HVAC



OIL



GAS

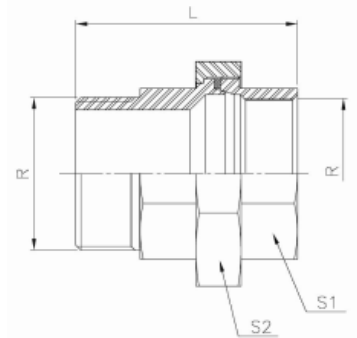


INDUSTRY

SERIES: 80427

MANUFACTURER: **GENEBRE**

Ref	SIZE (R)	L	S1	S2
80427-02	1/4"	44	17	29
80427-03	3/8"	47.5	20	34
80427-04	1/2"	54	25	39
80427-05	3/4"	58	30	47
80427-06	1"	68	38	58
80427-07	1 1/4"	74.5	47	67
80427-08	1 1/2"	78.5	53	76
80427-09	2"	90	66	90
80427-10	2 1/2"	102	82	109
80427-11	3"	113	96	123



VALVE MATERIALS & DIMENSIONS

ALLVALVES

Offering a full range of actuated valve packages, manual valve range, pipe fittings and pumps, we have a product for all your requirements. As an ISO 9001-2015 Quality Approved and certified company, All Valves offer a quality service from pre-sale to post sale. Shipping millions of pounds in value of manual valve and actuated valve packages all over the world since its formation, All Valves are a trusted valve and actuator supplier to many companies all over the world. Working with the leading brands in most industries.



T +44 (0)1386 552369

E sales@allvalves.co.uk

W www.allvalves.co.uk

F +44 (0)1386 554227