



## Main Features:-

- ◆ Reducing Nipple
- ◆ Made of AISI 316
- ◆ Thread according to ISO 7-1 (EN 10226-1)
- ◆ Working Temperature -20 to + 220C \*
- ◆ Max. Working pressure 20 Bar

\*Temperature and pressure determined by valve body, seat etc.



## Suitable Applications & Approvals:



HVAC



OIL



GAS



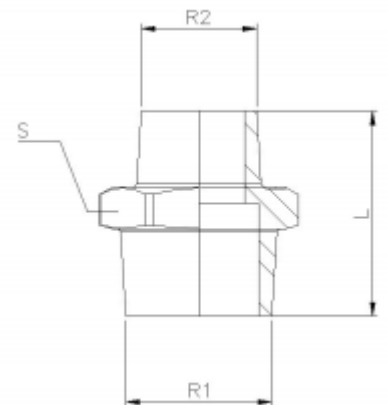
INDUSTRY

## SERIES: 80416

MANUFACTURER: **GENEBRE**

VALVE MATERIALS & DIMENSIONS

Ref	SIZE (R1xR2)	L	S
80416-50	1/4" x 1/8"	22.5	15
80416-51	3/8" x 1/4"	26.5	18
80416-52	1/2" x 1/4"	30	23
80416-53	1/2" x 3/8"	30.5	23
80416-54	3/4" x 1/2"	35.5	28
80416-55	1" x 1/2"	38.5	35
80416-56	1" x 3/4"	39.5	35
80416-57	1 1/4" x 3/4"	42.5	44
80416-58	1 1/4" x 1"	45	44
80416-59	1 1/2" x 1"	45	50
80416-60	1 1/2" x 1 1/4"	47.5	50
80416-61	2" x 1 1/4"	52.5	62
80416-62	2" x 1 1/2"	52.5	62



## ALLVALVES

Offering a full range of actuated valve packages, manual valve range, pipe fittings and pumps, we have a product for all your requirements. As an ISO 9001-2015 Quality Approved and certified company, All Valves offer a quality service from pre-sale to post sale. Shipping millions of pounds in value of manual valve and actuated valve packages all over the world since its formation, All Valves are a trusted valve and actuator supplier to many companies all over the world. Working with the leading brands in most industries.



T +44 (0)1386 552369

E sales@allvalves.co.uk

W www.allvalves.co.uk

F +44 (0)1386 554227