



Main Features:-

- ◆ AISI 316 (Casting)
- ◆ 1/4" to 4"
- ◆ Threaded NPT F-F Ends
- ◆ Working Temperature -20 to + 220C *
- ◆ Max. Working pressure 20 Bar

*Temperature and pressure determined by valve body, seat etc.



Suitable Applications & Approvals:



HVAC



OIL



GAS



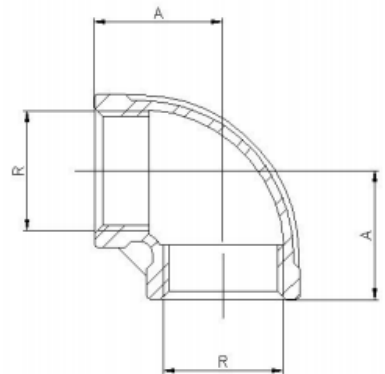
INDUSTRY

SERIES: 80402

MANUFACTURER: **GENEBRE**

VALVE MATERIALS & DIMENSIONS

Ref	SIZE-R	A
80402-02	1/4"	19
80402-03	3/8"	23
80402-04	1/2"	27
80402-05	3/4"	32
80402-06	1"	38
80402-07	1 1/4"	45
80402-08	1 1/2"	48
80402-09	2"	57
80402-10	2 1/2"	69
80402-11	3"	78
80402-12	4"	96



ALLVALVES

Offering a full range of actuated valve packages, manual valve range, pipe fittings and pumps, we have a product for all your requirements. As an ISO 9001-2015 Quality Approved and certified company, All Valves offer a quality service from pre-sale to post sale. Shipping millions of pounds in value of manual valve and actuated valve packages all over the world since its formation, All Valves are a trusted valve and actuator supplier to many companies all over the world. Working with the leading brands in most industries.



T +44 (0)1386 552369

E sales@allvalves.co.uk

W www.allvalves.co.uk

F +44 (0)1386 554227