



Main Features:-

- ◆ Metal Expansion Joint
- ◆ DN40 to DN200 PN10 PN10 (ANSI 150)
- ◆ Unidirectional design
- ◆ Max. Working pressure 10 bar
- ◆ Working temperature 300°C.

*Temperature and pressure determined by valve body, seat etc.



Suitable Applications & Approvals:



HVAC



OIL



GAS



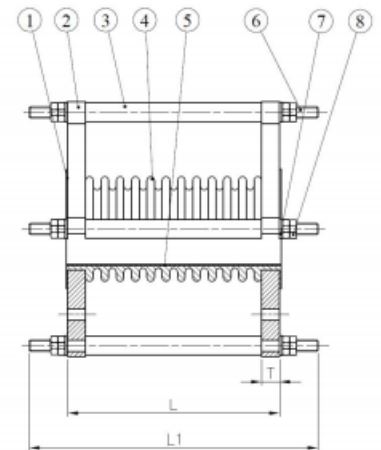
INDUSTRY

SERIES: 80256

MANUFACTURER: **GENEBRE**

VALVE MATERIALS

ITEM	SECTION	MATERIAL	ADDITIONAL INFO / OPTIONS
1	Lap Joint	SS 304	n/a
2	Flange	Carbon Steel	Galvanized
3	Pipe	Carbon Steel	Galvanized
4	Bellows	SS 1.4301	n/a
5	Inner Sleeve	SS 1.4301	n/a
6	Rod	Carbon Steel	Galvanized
7	Washer	Rubber	n/a
8	Nut	Carbon Steel	Galvanized



REF	Size	DN	PN	N°Conv	ØA	ØB	ØC	ØD	Kg
80256-09	2"	50	16	11	222	152.4	180	121	7.2
80256-10	2 1/2"	65	16	11	245	177.8	207	139.7	9.5
80256-11	3"	80	16	12	265	190.5	220	152.4	11.7
80256-12	4"	100	16	12	320	228.6	260	190	15.8
80256-13	5"	125	16	11	360	254	287	215.9	21
80256-14	6"	150	16	12	380	279	316	241	26
80256-16	8"	200	16	12	446	342.9	380	298.4	37

REF	Size	DN	E-ØF	Rods	L	L1	T
80256-09	2"	50	4-19	3xM12	150	225	19.1
80256-10	2 1/2"	65	4-19	3xM12	150	225	22.2
80256-11	3"	80	4-19	3xM12	150	225	23.8
80256-12	4"	100	8-19	3xM12	150	225	23.8
80256-13	5"	125	8-22.2	4xM16	150	245	23.8
80256-14	6"	150	8-22.2	4xM16	200	295	25.4
80256-16	8"	200	8-22.2	4xM16	200	295	28.6



T +44 (0)1386 552369

E sales@allvalves.co.uk

W www.allvalves.co.uk

F +44 (0)1386 554227



Genebre are a global brand of industrial valves with large stocks held for fast delivery on various type of valves, sizes, end connections and materials.

SERIES: 80256

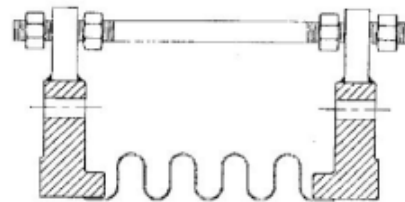
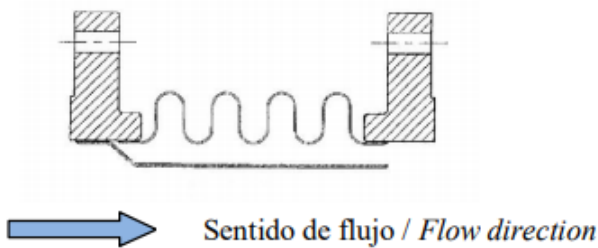
REF	Size	Axial Spring Rate	Effective Area	Kv
80256-09	2"	28	27.3	170
80256-10	2 1/2"	33	47.6	385
80256-11	3"	34	58	512
80256-12	4"	45	98.5	1418
80256-13	5"	63	160.6	2210
80256-14	6"	76	228.3	3557
80256-16	8"	56	366.4	6012

GENEBRE

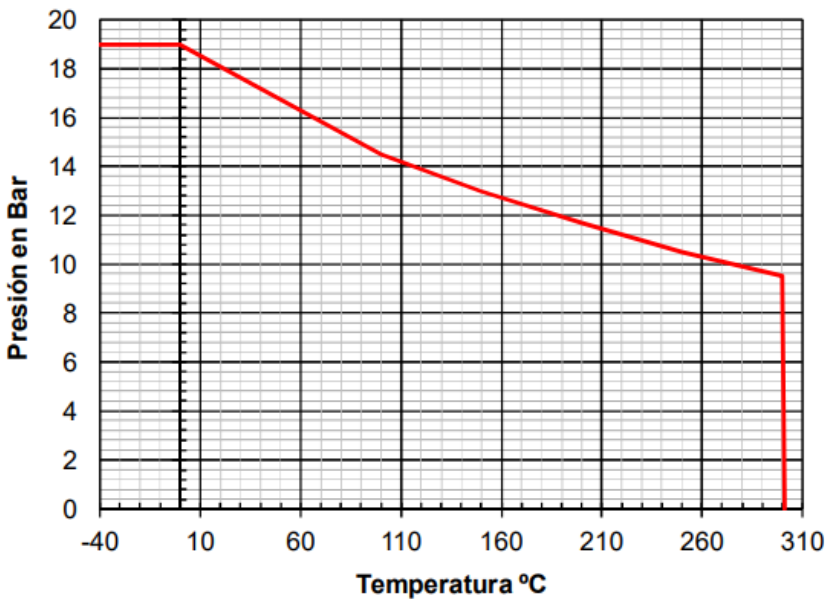
Genebre is a leading company and world reference in fluid control and high-quality taps. They control all the creation processes, responding to the specific needs of each market: from the initial concept and design of the product to the production and commercialization.

TORQUE / Kv VALUES / DIMENSIONS

Inner Sleeve Detail/ Limit Rod detail



PRESSURE TEMPERATURE RATING



ALLVALVES

Offering a full range of actuated valve packages, manual valve range, pipe fittings and pumps, we have a product for all your requirements. As an ISO 9001-2015 Quality Approved and certified company, All Valves offer a quality service from pre-sale to post sale. Shipping millions of pounds in value of manual valve and actuated valve packages all over the world since its formation, All Valves are a trusted valve and actuator supplier to many companies all over the world. Working with the leading brands in most industries.



T +44 (0)1386 552369

E sales@allvalves.co.uk

W www.allvalves.co.uk

F +44 (0)1386 554227