



Main Features:-

- ◆ Needle Valve
- ◆ 1/4" to 1"
- ◆ Threaded ends F-F acc. to ISO 228/1 (NPT)
- ◆ Working Temperature -54°C to $+232^{\circ}\text{C}$ *
- ◆ Back seating design

*Temperature and pressure determined by valve body, seat etc.

Suitable Applications & Approvals:



HVAC



OIL



GAS



INDUSTRY

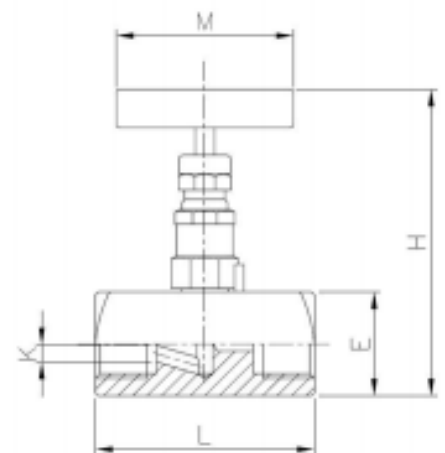
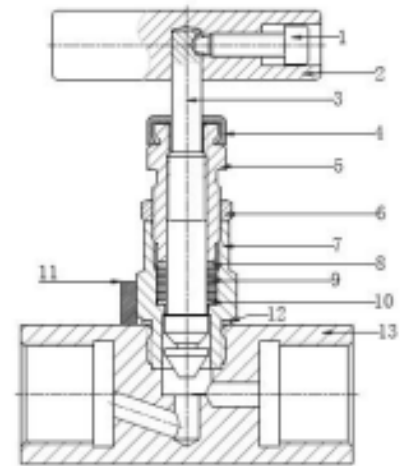


SERIES: 80239

MANUFACTURER: **GENEBRE**

VALVE MATERIALS

ITEM	SECTION	MATERIAL	ADDITIONAL INFO / OPTIONS
1	Grib Screw Handle	SS 316	n/a
2	Handle	SS 316	n/a
3	Stem Shaft	SS 316	Nitrogen Treatment
4	Dust Cap	Plastic	n/a
5	Packing Nut	SS 316	n/a
6	Lock Nut	SS 316	n/a
7	Bonnet	SS 316	n/a
8	Washer	SS 316	n/a
9	Stem Packing	PTFE + Graphite	n/a
10	Washer	SS 316	n/a
11	Lock Pin	SS 316	n/a
12	O'Ring	FKM	n/a
13	Body	ASTM A479-04	n/a



REF	SIZE	PN	E	H	L	M	K	Kg
80239-02	1/4"	6000	25.5	90	61	55	4	0.365
80239-03	3/8"	6000	25.5	90	61	55	4	0.355
80239-04	1/2"	6000	28.5	92	68	55	5	0.44
80239-05	3/4"	6000	38	98	76	55	6	0.8
80239-06	1"	6000	44.5	108	85	55	8	1.12



T +44 (0)1386 552369

E sales@allvalves.co.uk

W www.allvalves.co.uk

F +44 (0)1386 554227



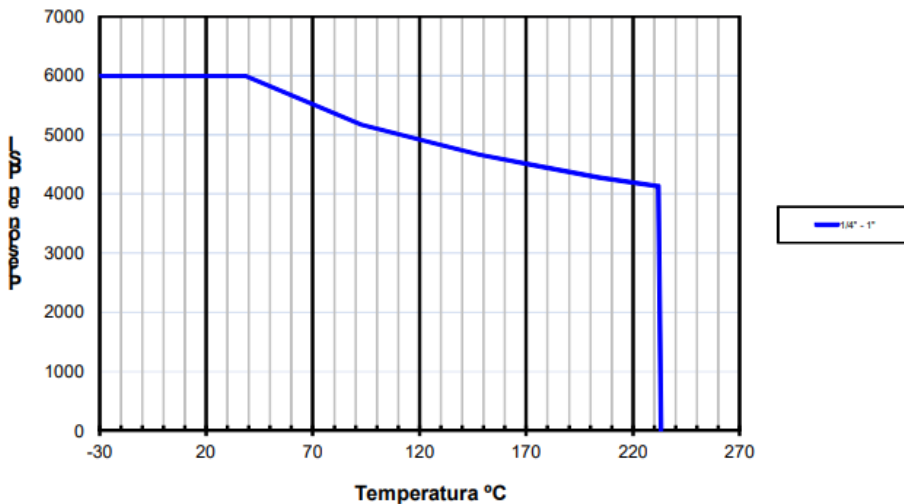
Genebre are a global brand of industrial valves with large stocks held for fast delivery on various type of valves, sizes, end connections and materials.

SERIES: 80239

REF	SIZE	Kv	KV VALUES:
80239-02	1/4"	0.3	- The Kv values (M3 per hour) is the flow of water at a temperature of 5C to 30C (41F to 86F) at p of 1 bar - For further information, please email sales@allvalves.co.uk
80239-03	3/8"	0.3	
80239-04	1/2"	0.63	
80239-05	3/4"	0.73	
80239-06	1"	1.4	

PRESSURE TEMPERATURE RATING

GENEBRE



Genebre is a leading company and world reference in fluid control and high-quality taps. They control all the creation processes, responding to the specific needs of each market: from the initial concept and design of the product to the production and commercialization.

TORQUE / Kv VALUES / DIMENSIONS

ALL VALVES

Offering a full range of actuated valve packages, manual valve range, pipe fittings and pumps, we have a product for all your requirements. As an ISO 9001-2015 Quality Approved and certified company, All Valves offer a quality service from pre-sale to post sale. Shipping millions of pounds in value of manual valve and actuated valve packages all over the world since its formation, All Valves are a trusted valve and actuator supplier to many companies all over the world. Working with the leading brands in most industries.



T +44 (0)1386 552369

E sales@allvalves.co.uk

W www.allvalves.co.uk

F +44 (0)1386 554227