



## Main Features:-

- ◆ Globe Valve
- ◆ 80229—Gas Thread, 80230—NPT Thread
- ◆ Stem Packing PTFE
- ◆ Max. pressure 16 BAR at 120° C
- ◆ Max. pressure 10 BAR at 180° C

\*Temperature and pressure determined by valve body, seat etc.



## Suitable Applications & Approvals:



HVAC



OIL



GAS



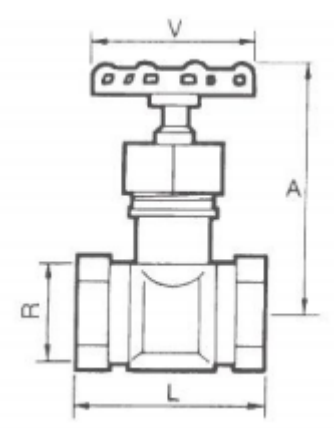
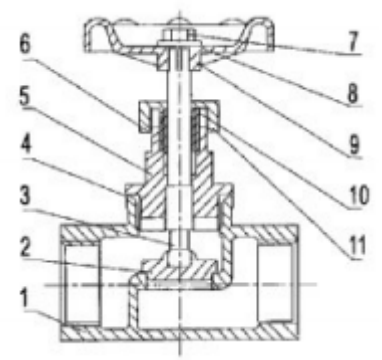
INDUSTRY

## SERIES: 80229/80230

MANUFACTURER: **GENEBRE**

VALVE MATERIALS

ITEM	SECTION	MATERIAL	ADDITIONAL INFO / OPTIONS
1	Body	SS 1.4408	Shot Blasting
2	Disc	SS 1.4408	n/a
3	Stem	AISI 316	n/a
4	Body Gasket	PTFE	n/a
5	Cap	SS 1.4408	Shot Blasting
6	Washer	AISI 316	n/a
7	Nut	AISI 304	n/a
8	Washer	AISI 304	n/a
9	Handwheel	Aluminium	Painted
10	Packing Nut	AISI 316	n/a
11	Stem Packing	PTFE	n/a



REF	SIZE	PN	R	A(open)	L	V	KG
80229-04	1/2"	16	1/2"	97	65	70	0.338
80229-05	3/4"	16	3/4"	103	75	70	0.6
80229-06	1"	16	1"	116	90	70	0.85
80229-07	1 1/4"	16	1 1/4"	135	105	80	1.365
80229-08	1 1/2"	16	1 1/2"	152	120	100	1.88
80229-09	2"	16	2"	164	140	100	2.68



T +44 (0)1386 552369  
 E sales@allvalves.co.uk

W www.allvalves.co.uk  
 F +44 (0)1386 554227



Genebre are a global brand of industrial valves with large stocks held for fast delivery on various type of valves, sizes, end connections and materials.

**SERIES: 80229/80230**

### REF

### SIZE

### Kv

### KV VALUES:

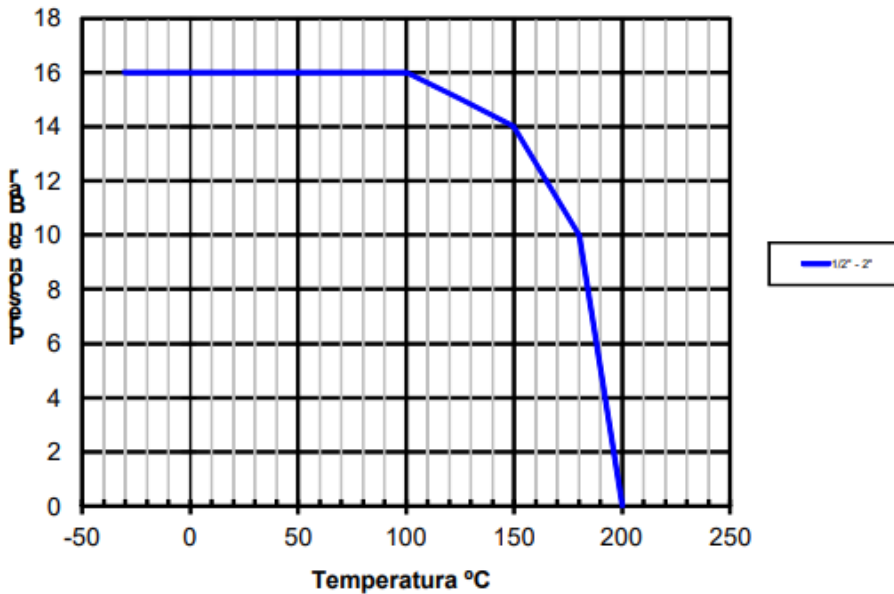
80229-04	1/2"	5.9
80229-05	3/4"	7
80229-06	1"	13
80229-07	1 1/4"	16
80229-08	1 1/2"	30
80229-09	2"	41

- The Kv values (M3 per hour) is the flow of water at a temperature of 5C to 30C (41F to 86F) at p of 1 bar

- For further information, please email [sales@allvalves.co.uk](mailto:sales@allvalves.co.uk)

TORQUE / Kv VALUES / DIMENSIONS

### PRESSURE TEMPERATURE RATING



### ALL VALVES

Offering a full range of actuated valve packages, manual valve range, pipe fittings and pumps, we have a product for all your requirements. As an ISO 9001-2015 Quality Approved and certified company, All Valves offer a quality service from pre-sale to post sale. Shipping millions of pounds in value of manual valve and actuated valve packages all over the world since its formation, All Valves are a trusted valve and actuator supplier to many companies all over the world. Working with the leading brands in most industries.



T +44 (0)1386 552369

E [sales@allvalves.co.uk](mailto:sales@allvalves.co.uk)

W [www.allvalves.co.uk](http://www.allvalves.co.uk)

F +44 (0)1386 554227