



Main Features:-

- ◆ Gate Valve
- ◆ Non-rising stem
- ◆ Threaded ends ISO 7-1 (EN 10226-1)
- ◆ Max. Working pressure 16 bar.
- ◆ Working temperature -30°C / 180 °C

*Temperature and pressure determined by valve body, seat etc.

Suitable Applications & Approvals:



HVAC



OIL



GAS



INDUSTRY

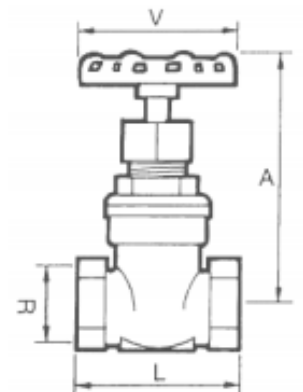
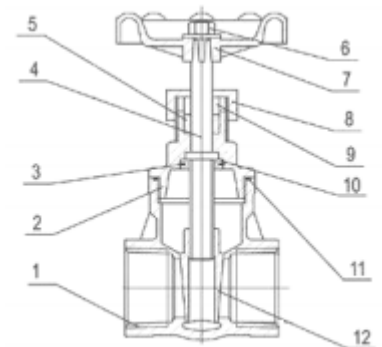


SERIES: 80223

MANUFACTURER: **GENEBRE**

VALVE MATERIALS

ITEM	SECTION	MATERIAL	ADDITIONAL INFO / OPTIONS
1	Body	SS 1.4408	Shot Blasting
2	Bonnet	SS 1.4408	Shot Blasting
3	Washer	Ss 304	n/a
4	Stem	Ss 316	n/a
5	Stem Packing	PTFE	n/a
6	Nut	SS 304	n/a
7	Handwheel	Aluminium	Painted
8	Packing Nut	SS 1.4408	n/a
9	Stem Packing	Ss 316	n/a
10	Lock Nut	Ss 316	n/a
11	Body Gasket	PTFE	n/a
12	Wedge	Ss 1.4408	Shot Blasting



REF	SIZE	PN	R	A	L	V	Kg
80223-04	1/2"	16	1/2"	100	55	70	0.414
80223-05	3/4"	16	3/4"	110	61	70	0.578
80223-06	1"	16	1"	115	68	70	0.740
80223-07	1 1/4"	16	1 1/4"	130	77	80	0.995
80223-08	1 1/2"	16	1 1/2"	150	80	100	1.550
80223-09	2"	16	2"	167	93	100	2.150



T +44 (0)1386 552369

E sales@allvalves.co.uk

W www.allvalves.co.uk

F +44 (0)1386 554227



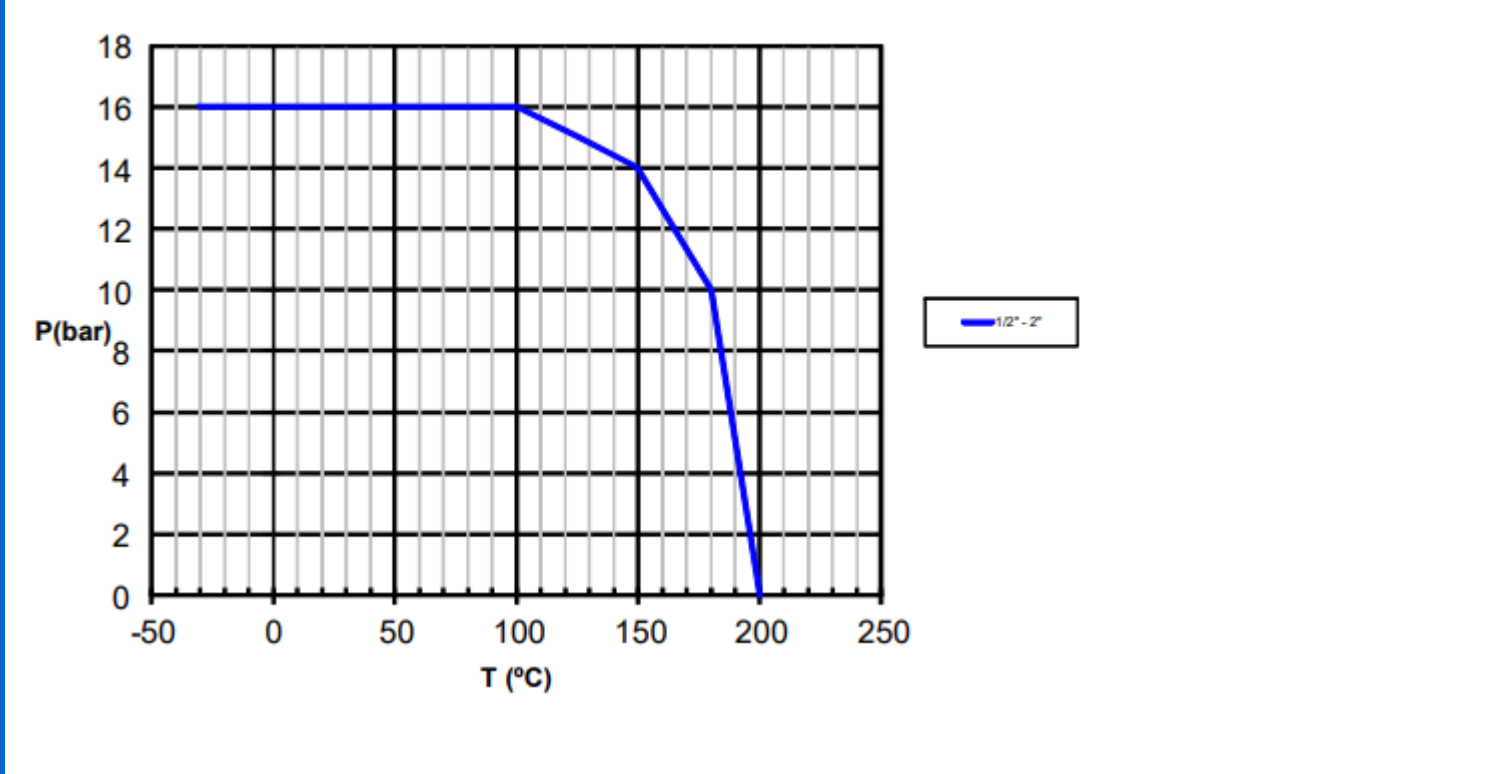
Genebre are a global brand of industrial valves with large stocks held for fast delivery on various type of valves, sizes, end connections and materials.

SERIES: 80223

REF	SIZE	Kv	KV VALUES:
80223-04	1/2"	4.5	- The Kv values (M3 per hour) is the flow of water at a temperature of 5C to 30C (41F to 86F) at p of 1 bar - For further information, please email sales@allvalves.co.uk
80223-05	3/4"	20	
80223-06	1"	34	
80223-07	1 1/4"	60	
80223-08	1 1/2"	102	
80223-09	2"	161	

TORQUE / Kv VALUES / DIMENSIONS

PRESSURE TEMPERATURE RATING



ALL VALVES

Offering a full range of actuated valve packages, manual valve range, pipe fittings and pumps, we have a product for all your requirements. As an ISO 9001-2015 Quality Approved and certified company, All Valves offer a quality service from pre-sale to post sale. Shipping millions of pounds in value of manual valve and actuated valve packages all over the world since its formation, All Valves are a trusted valve and actuator supplier to many companies all over the world. Working with the leading brands in most industries.



T +44 (0)1386 552369

E sales@allvalves.co.uk

W www.allvalves.co.uk

F +44 (0)1386 554227