



Main Features:-

- ◆ Disc Check Valve
- ◆ DN8 to DN100 PN63
- ◆ Threaded ends acc. to ISO 7-1
- ◆ Working Temperature -20 to + 240C *
- ◆ Metal to metal sealing

*Temperature and pressure determined by valve body, seat etc.

Suitable Applications & Approvals:



HVAC



OIL



GAS



INDUSTRY



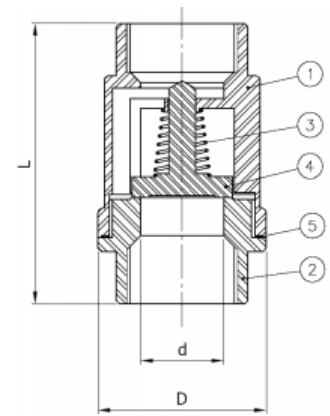
SERIES: 80210

MANUFACTURER: **GENEBRE**

VALVE MATERIALS & DIMENSIONS

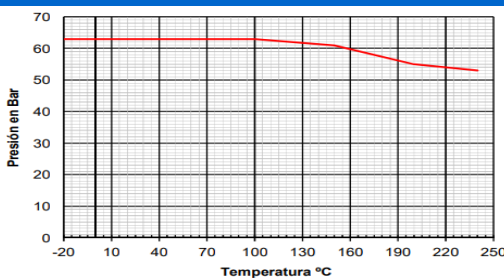
ITEM	SECTION	MATERIAL	ADDITIONAL INFO / OPTIONS
1	Body	SS 1.4408	Shot blasting
2	Cap	SS 1.4408	Shot blasting
3	Spring	AISI 316	n/a
4	Disc	SS 1.4408	Shot blasting
5	Gasket	PTFE	n/a

REF	SIZE	DN	PN	d	D	L	Opening Pressure	Kg
80210-02	1/4"	8	63	8	30.5	53	80~90	0.17
80210-03	3/8"	10	63	10	30.5	53	60~70	0.16
80210-04	1/2"	15	63	15	37	56	55~65	0.21
80210-05	3/4"	20	63	20	42	63	50~60	0.29
80210-06	1"	25	63	25	48	74	45~50	0.41
80210-07	1 1/4"	32	63	30	58	81	35~40	0.66
80210-08	1 1/2"	40	63	38	70	91	25~30	0.99
80210-09	2"	50	63	47	82	97	25~30	1.42
80210-10	2 1/2"	65	63	61	102.5	118	25~30	2.44
80210-11	3"	80	63	75	120	138	20~25	3.8
80210-12	4"	100	63	94	150	158	20~25	6.6



REF	SIZE	Kv
80210-02	1/4"	0.18
80210-03	3/8"	1.11
80210-04	1/2"	3.3
80210-05	3/4"	7.1
80210-06	1"	12.7
80210-07	1 1/4"	14.1
80210-08	1 1/2"	22.5
80210-09	2"	31.5
80210-10	2 1/2"	54
80210-11	3"	75
80210-12	4"	110

Pressure temperature rating



T +44 (0)1386 552369

E sales@allvalves.co.uk

W www.allvalves.co.uk

F +44 (0)1386 554227