



Main Features:-

- ◆ Wafer check valve, single disk
- ◆ 1 1/2" to 12" PN16
- ◆ Installed with vertical or horizontal flow
- ◆ Working Temperature -20 to +180C *
- ◆ Disk O'Ring (seat) made of FKM (Viton)

*Temperature and pressure determined by valve body, seat etc.

Suitable Applications & Approvals:



HVAC



OIL



GAS



INDUSTRY

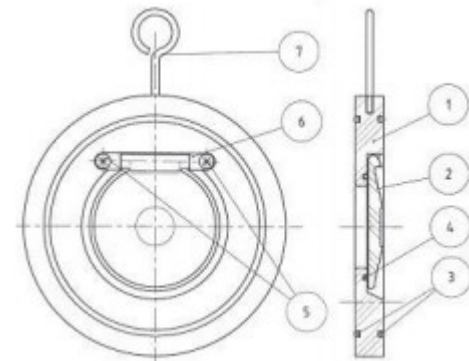


SERIES: 80207

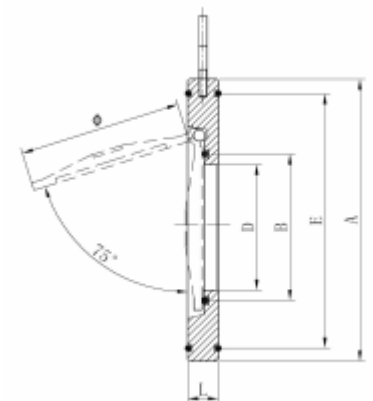
MANUFACTURER: **GENEBRE**

VALVE MATERIALS & DIMENSIONS

ITEM	SECTION	MATERIAL	ADDITIONAL INFO / OPTIONS
1	Body	SS 1.4408	Shot blasting
2	Disc	SS 1.4408	Shot blasting
3	External O'Ring	FKM	Spare Part Code: K 2406
4	Disc O'Ring	FKM	Spare Part Code: K 2406
5	Axis Screw	SS 316	n/a
6	Stem Stopper	SS 316	n/a
7	Hook	Steel	Zinc Plated



REF	SIZE	PN	A	B	D	E	L	Ø	Kg
80207-08	1 1/2"	16	85	33	25	68	12	40	0.45
80207-09	2"	16	105	41	32	84	14	47.5	0.79
80207-10	2 1/2"	16	124	51	40	96	14	63	1.11
80207-11	3"	16	136	65	54	118	14	74	1.36
80207-12	4"	16	164	85	70	148	18	92	2.3
80207-13	5"	16	194	106	92	166	18	116	3.1
80207-14	6"	16	220	130	114	197	20	138	4.5
80207-16	8"	16	275	170	154	249	22	179	7.15
80207-18	10"	16	330	220	200	310	26	230	11.95
80207-20	12"	16	384	255	230	358	30	270	20.5



T +44 (0)1386 552369

E sales@allvalves.co.uk

W www.allvalves.co.uk

F +44 (0)1386 554227





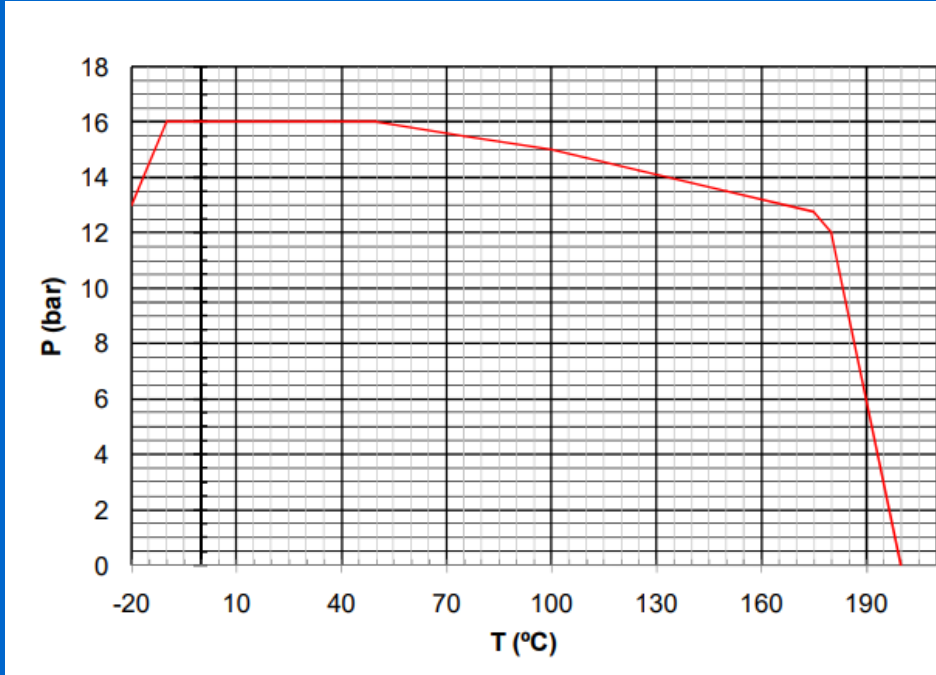
Genebre are a global brand of industrial valves with large stocks held for fast delivery on various type of valves, sizes, end connections and materials.

SERIES: 80207

OPENING PRESSURE / Kv VALUES / PRESSURE & TEMP

REF	SIZE	Flow→	Flow↑	REF	SIZE	Kv	KV VALUES:
80207-08	11/2"	≈ 0	6	80207-08	11/2"	11.5	- The Kv values (M3 per hour) is the flow of water at a temperature of 5C to 30C (41F to 86F) at p of 1 bar - For further information, please email sales@allvalves.co.uk FLOW: Values displayed in columns 'Flow' represent opening pressure in mBar
80207-09	2"	≈ 0	6	80207-09	2"	25.5	
80207-10	2 1/2"	≈ 0	6	80207-10	2 1/2"	42.5	
80207-11	3"	≈ 0	6	80207-11	3"	68	
80207-12	4"	≈ 0	6	80207-12	4"	248	
80207-13	5"	≈ 0	6	80207-13	5"	550.5	
80207-14	6"	≈ 0	6	80207-14	6"	729	
80207-16	8"	≈ 0	9	80207-16	8"	1045	
80207-18	10"	≈ 0	9	80207-18	10"	1907	
80207-20	12"	≈ 0	9	80207-20	12"	2720	

PRESSURE AND TEMPERATURE CHART



ALL VALVES

AllValves Online™ have used decades of experience in the valve industry to select a range of products that match the Allvalves Online ethos - value for money. All Valves Products are from reputable sources and have been sold in significant quantities for many years, are installed in a wide variety of applications, and are known to be durable in service.

GENEBRE

Genebre is a leading company and world reference in fluid control and high-quality taps. They control all the creation processes, responding to the specific needs of each market: from the initial concept and design of the product to the production and commercialization.



T +44 (0)1386 552369
 E sales@allvalves.co.uk

W www.allvalves.co.uk
 F +44 (0)1386 554227