



## Main Features:-

- ◆ Wafer Check Valve (Double disc)
- ◆ DN50 to DN300 PN16
- ◆ Installed in vertical, horizontal or inclined position
- ◆ Working Temperature -10 to + 100C \*

\*Temperature and pressure determined by valve body, seat etc.

## Suitable Applications & Approvals:



HVAC



OIL



GAS



INDUSTRY

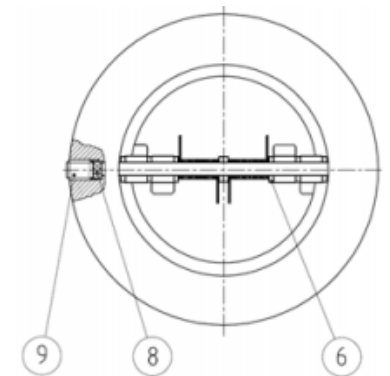


## SERIES: 80205

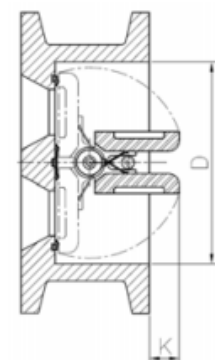
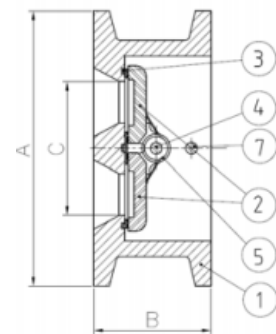
MANUFACTURER: **GENEBRE**

VALVE MATERIALS & DIMENSIONS

ITEM	SECTION	MATERIAL	ADDITIONAL INFO / OPTIONS
1	Body	GG-25	Epoxy Painted
2	Disk	SS 1.4408	Shot blasting
3	Seat	NBR	n/a
4	Axle	AISI 316	n/a
5	Spring	AISI 316	Spare Part Code: K2401
6	Washer	PTFE	Spare Part Code: K2401
7	Disk Stopper	AISI 316	n/a
8	Plug	NBR	Spare Part Code: K2401
9	Grub Screw	AISI 304	Spare Part Code: K2401



REF	SIZE	DN	PN	A	B	C	D	K	Kg
80205-09	2"	50	16	101	54	48	66	5	1.5
80205-10	2 1/2"	65	16	119	54	59	80	11	2.05
80205-11	3"	80	16	133	57	72	95	11	2.7
80205-12	4"	100	16	164	64	90	117	24	4.1
80205-13	5"	125	16	194	70	110	145	34	6.45
80205-14	6"	150	16	220	76	135	170	43	8.2
80205-16	8"	200	16	275	95	175	224	67	15.8
80205-18	10"	250	16	328	108	215	255	80	23.5
80205-20	12"	300	16	378	143	254	302	96	42.5



T +44 (0)1386 552369

E sales@allvalves.co.uk

W www.allvalves.co.uk

F +44 (0)1386 554227



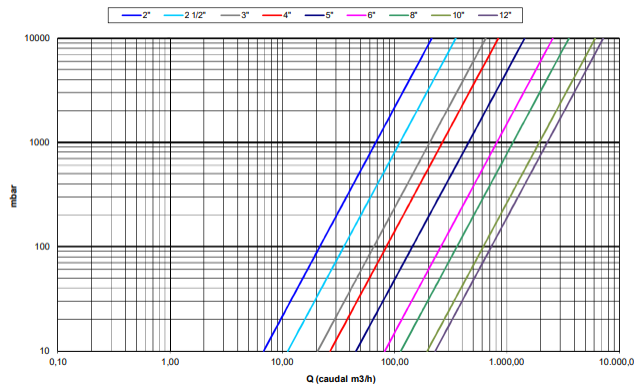


Genebre are a global brand of industrial valves with large stocks held for fast delivery on various type of valves, sizes, end connections and materials.

## SERIES: 80205

TORQUE / Kv VALUES / PRESSURE AND TEMPERATURE CHART

REF	SIZE	Kv
80205-09	2"	68
80205-10	2 1/2"	111
80205-11	3"	206
80205-12	4"	266
80205-13	5"	455
80205-14	6"	813
80205-16	8"	1132
80205-18	10"	1950
80205-20	12"	2300



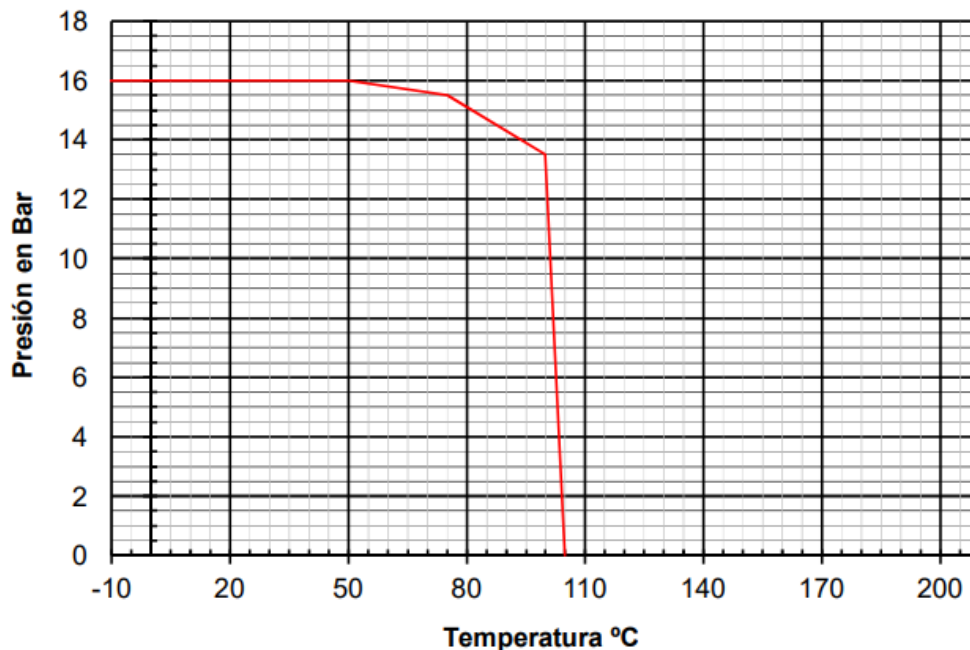
### KV VALUES:

- The Kv values (M3 per hour) is the flow of water at a temperature of 5C to 30C (41F to 86F) at p of 1 bar

- For further information, please email [sales@allvalves.co.uk](mailto:sales@allvalves.co.uk)

FLOW	Appli.	Pres.	DN50	DN65	DN80	DN100	DN125	DN150	DN200	DN250	DN300
↕	With Spr.	Mbar	22.8	22.8	22.8	24	24.5	24.7	25.4	26.6	27.3
↔	With Spr.	Mbar	22.4	22.4	22.4	23.5	24	24.1	24.7	25.8	26.4
↘	With Spr.	Mbar	22	22	22	23	23.5	23.5	24	25	25.5
↗	Without Spr.	mbar	0.4	0.4	0.4	0.5	0.5	0.6	0.7	0.8	0.9

### PRESSURE AND TEMPERATURE CHART



### More Info?

For more information visit our website [www.allvalves.co.uk](http://www.allvalves.co.uk) or drop us an email at [sales@allvalves.co.uk](mailto:sales@allvalves.co.uk) or call us on 01386552369.

AllValves Online™ have used decades of experience in the valve industry to select a range of products that match the Allvalves Online ethos - value for money. All Valves Products are from reputable sources and have been sold in significant quantities for many years, are installed in a wide variety of applications, and are known to be durable in service.



T +44 (0)1386 552369

E [sales@allvalves.co.uk](mailto:sales@allvalves.co.uk)

W [www.allvalves.co.uk](http://www.allvalves.co.uk)

F +44 (0)1386 554227