



Main Features:-

- ◆ Butterfly Sanitary Valve
- ◆ Thread ends according to DIN 11851
- ◆ Max. Working Pressure 10bar*
- ◆ Max. Working Temperature 120C *
- ◆ Body AISI 304, EPDM Seat

*Temperature and pressure determined by valve body, seat etc.



Suitable Applications & Approvals:



HVAC



OIL



GAS



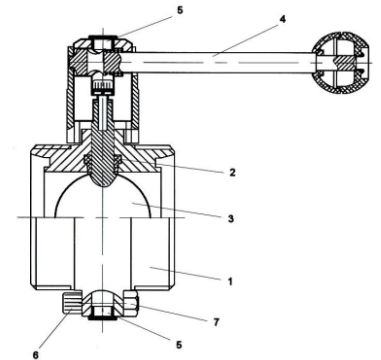
INDUSTRY

SERIES: 80110

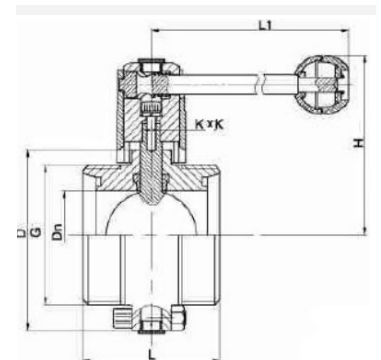
MANUFACTURER: **GENEBRE**

VALVE MATERIALS/DIMENSIONS

ITEM	SECTION	MATERIAL	ADDITIONAL INFO / OPTIONS
1	Body	SS 304	Mechanical Polish
2	Seat	EPDM	Spare Part Code: E2941
3	Disc	SS 304	Mechanical Polish
4	Handle	SS 304	-
5	Cap	Plastic	-
6	Bolt	SS 304	-
7	Nut	SS 304	-



REF	Size	DN	L	D	G	H	L1	KxK	Kg
80110-06	1"	25	66	78	52x1/6"	84	126	8x8	1.35
80110-07	1 1/4"	31	70	86	58x1/6"	88	126	8x8	1.45
80110-08	1 1/2"	40	74	90	65x1/6"	90	126	8x8	1.75
80110-09	3"	50	76	106	78x1/6"	101	133	10x10	2.45
80110-10	2 1/2"	65	84	124	95x1/6"	110	144	10x10	3.2
80110-11	3"	80	90	139	110x1/4"	121	160	11x11	3.85
80110-12	4"	100	108	159	130x1/4"	129	160	11x11	5.45



DN	100°	90°	80°	70°	60°	50°	40°	30°	20°	10°
25	19.8	14	12	11	8	6	5	4	2	1
32	35	28	21	17	12	10	7	4.5	2	1
40	48.5	40	32	24	20	11	9	5	4	1
50	91	75	61	48	34	24	15	10	5	1
65	142	95	90	80	54	35	30	14	6	4
80	205	150	100	95	86	60	40	21	11	5
100	372	340	290	250	195	140	75	38	25	10



T +44 (0)1386 552369
E sales@allvalves.co.uk

W www.allvalves.co.uk
F +44 (0)1386 554227