



Main Features:-

- ◆ Reduced Bore 1 PC Ball Valve
- ◆ DN15 to DN250, Flange ends DIN 2501
- ◆ Max. working pressure PN 16/40
- ◆ Working Temperature -30 to + 200C *
- ◆ Ball seat PTFE + Graphite

*Temperature and pressure determined by valve body, seat etc.



SERIES: 80064

MANUFACTURER: **GENEBRE**

Suitable Applications & Approvals:



HVAC



OIL



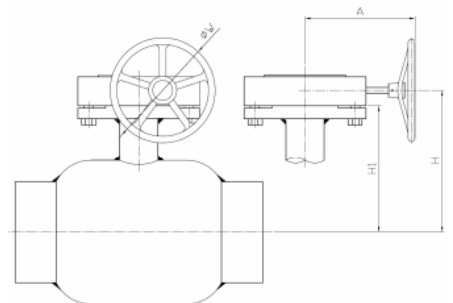
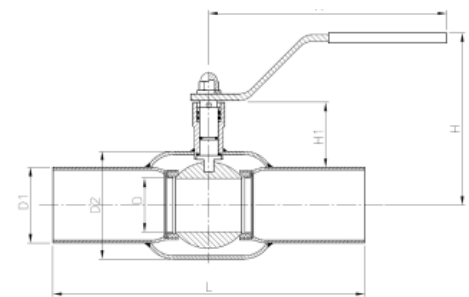
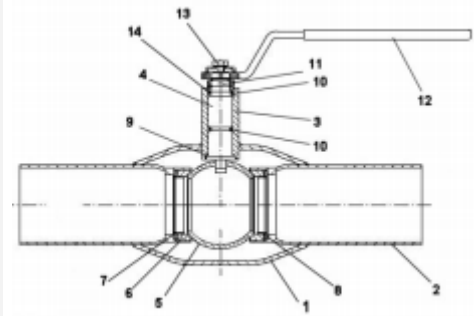
GAS



INDUSTRY

VALVE MATERIALS & DIMENSIONS

ITEM	SECTION	MATERIAL	ADDITIONAL INFO / OPTIONS
1	Body	Carbon Steel DIN ST-37	Painted
2	Extension Pipes	Carbon Steel DIN ST-37	Painted
3	Stem Bush	Carbon Steel DIN ST-37	Painted
4	Flange	Carbon Steel	Painted
5	Ball	AISI 304	n/a
6	Seat Ball	PTFE + Graphite	n/a
7	Seat Bush	SS	n/a
8	Spring Washer	AISI 301	n/a
9	Stem	AISI 303	n/a
10	Trust Washer	PTFE	n/a
11	Trust Washer	PTFE	n/a
12	O'Ring	FPM	n/a
13	Stem Ring	Carbon Steel	Zinc-Plated
14	Nut	Carbon Steel	Zinc-Plated
15	Stopper	Carbon Steel	Zinc-Plated
16	Handle	Carbon Steel	Zinc-Plated
17	Handle Sleeve	Vynil	n/a



GENEBRE

In the Industrial line of Genebre products you will find a wide range of industrial valves and their accessories, sanitary line valves, automated valves and control valves, stainless steel fittings, different elements for industrial instrumentation and all spare parts for valves sphere.



T +44 (0)1386 552369

E sales@allvalves.co.uk

W www.allvalves.co.uk

F +44 (0)1386



Genebre are a global brand of industrial valves with large stocks held for fast delivery on various type of valves, sizes, end connections and materials.

SERIES: 80064

TORQUE / Kv VALUES

REF	SIZE	PN	D	DI	n x Z	d	H	H1	A	ØW	L	Kg
80064-04	1/2"	40	10	95	4x14	65	100	40	120	-	130	1.8
80064-05	3/4"	40	15	105	4x14	75	100	40	120	-	150	2.4
80064-06	1"	40	20	115	4x14	85	105	40	150	-	160	2.9
80064-07	1 1/4"	40	25	140	4x18	100	105	39	150	-	180	4.7
80064-08	1 1/2"	40	32	150	4x18	110	125	59	190	-	200	5.4
80064-09	2"	40	40	165	4x18	125	130	59	190	-	230	7.2
80064-10	2 1/2"	16	50	185	4x18	145	180	71	280	-	270	9.7
80064-11	3"	16	65	200	8x18	160	190	77	280	-	280	11.5
80064-12	4"	16	80	220	8x18	180	220	92	280	-	300	16.8
80064-13	5"	16	100	250	8x18	210	245	95	420	-	325	23.6
80064-14	6"	16	125	285	8x18	240	265	103	550	-	350	32
80064-16	8"	16	150	340	12x23	295	270	115	254	300	400	56
80064-18	10"	16	200	405	12x27	355	303	11	254	400	530	111
80064-20	12"	16	250	460	12x27	410	369	155	342	460	630	191

REF	DN	Nm	REF	DN	Kv
80064-04	15	N/A	80064-04	15	8
80064-05	20	N/A	80064-05	20	15
80064-06	25	N/A	80064-06	25	24
80064-07	32	N/A	80064-07	32	40
80064-08	40	N/A	80064-08	40	66
80064-09	50	N/A	80064-09	50	104
80064-10	65	N/A	80064-10	65	180
80064-11	80	N/A	80064-11	80	300
80064-12	100	N/A	80064-12	100	450
80064-13	125	N/A	80064-13	125	780
80064-14	150	N/A	80064-14	150	1100
80064-16	200	N/A	80064-16	200	1550
80064-18	250	N/A	80064-18	250	2900
80064-20	300	N/A	80064-20	300	4450





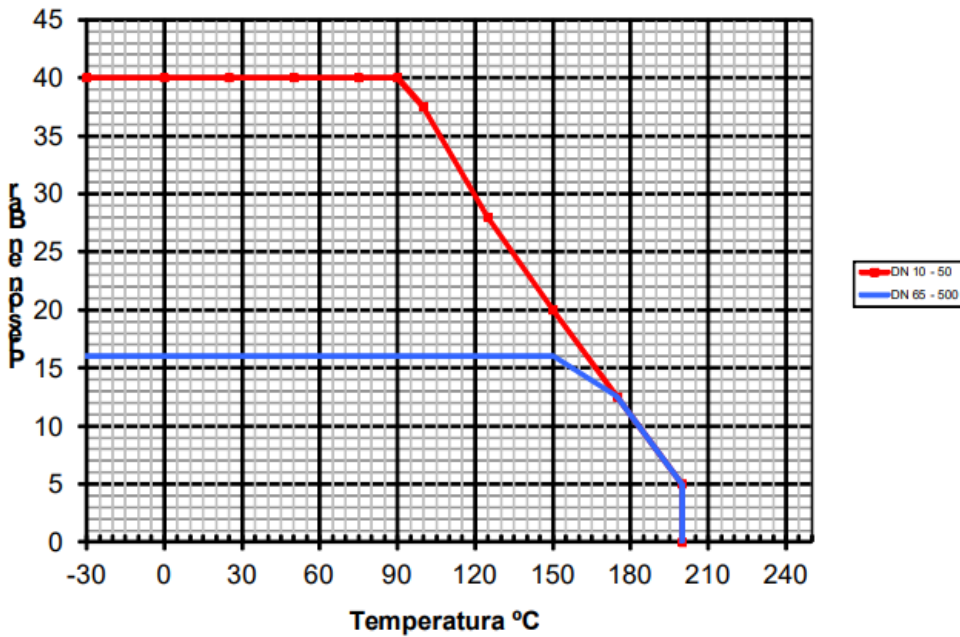
Genebre are a global brand of industrial valves with large stocks held for fast delivery on various type of valves, sizes, end connections and materials.

SERIES: 80064

PRESSURE TEMPERATURE RATING

ALL VALVES

PRESSURE & TEMP CHART



Offering a full range of actuated valve packages, manual valve range, pipe fittings and pumps, we have a product for all your requirements. As an ISO 9001-2015 Quality Approved and certified company, All Valves offer a quality service from pre-sale to post sale. Shipping millions of pounds in value of manual valve and actuated valve packages all over the world since its formation, All Valves are a trusted valve and actuator supplier to many companies all over the world. Working with the leading brands in most industries.



T +44 (0)1386 552369

E sales@allvalves.co.uk

W www.allvalves.co.uk

F +44 (0)1386