



Main Features:-

- ◆ Ball Valve Mini Style Reduced Bore
- ◆ 1/8" to 3/4" PN16
- ◆ BSP M-F Ends
- ◆ Working Temperature -20°C to 110°C *
- ◆ Maximum working pressure 16 bar

*Temperature and pressure determined by valve body, seat etc.



SERIES: 80062

MANUFACTURER: **GENEBRE**

Suitable Applications & Approvals:



HVAC



OIL



GAS

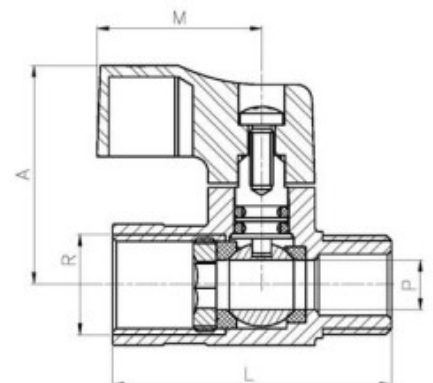
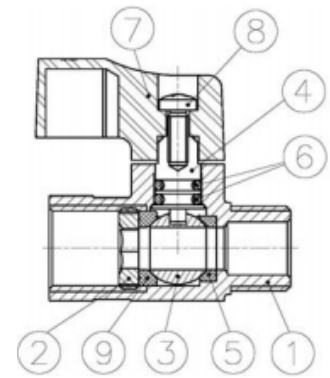


INDUSTRY

VALVE MATERIALS & DIMENSIONS

ITEM	SECTION	MATERIAL	ADDITIONAL INFO / OPTIONS
1	Body	Brass	Chrome Plated
2	Cap	Brass	n/a
3	Ball	Brass	Chrome Plated
4	Stem	Brass	n/a
5	Ball Seat	PTFE	n/a
6	O'Ring	NBR	n/a
7	Handle	Aluminium	Painted
8	Screw	Steel	n/a
9	Ball Seat	PTFE	n/a

REF	SIZE	P	A	L	M	Kg
80062-01	1/8"	6.5	28	36	22	0.045
80062-02	1/4"	6.5	28	37	22	0.045
80062-03	3/8"	8	30	40	22	0.065
80062-04	1/2"	10	33	44	22	0.100
80062-05	3/4"	12.5	36	52	22	0.160



T +44 (0)1386 552369

E sales@allvalves.co.uk

W www.allvalves.co.uk

F +44 (0)1386 554227





Genebre are a global brand of industrial valves with large stocks held for fast delivery on various type of valves, sizes, end connections and materials.

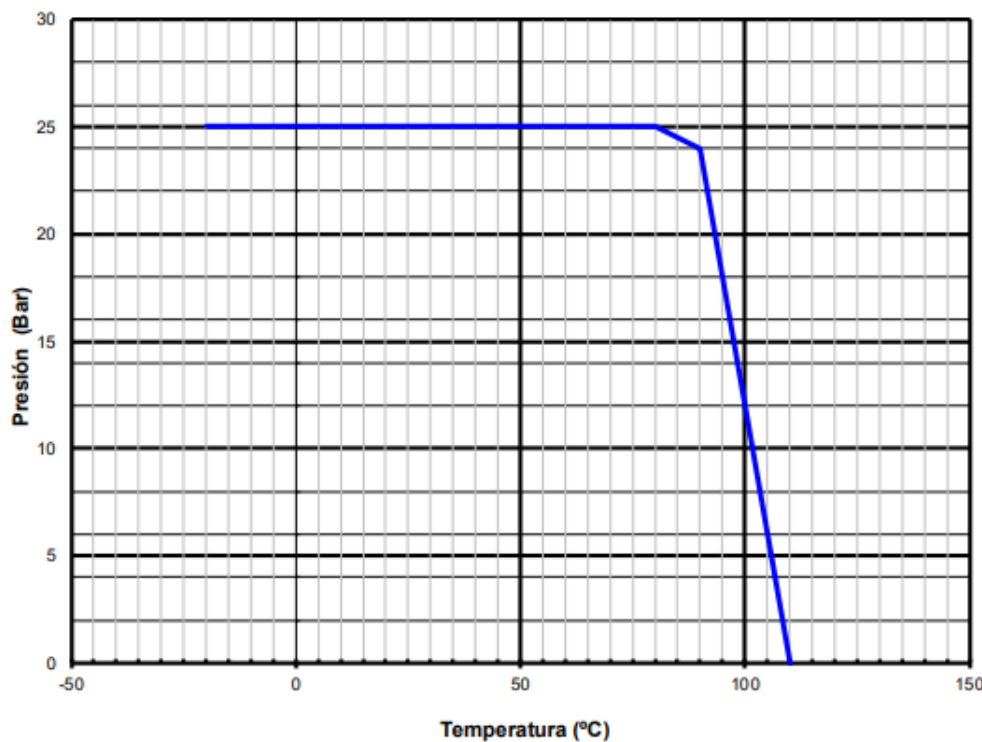
SERIES: 80062

TORQUE / Kv VALUES / PRESSURE & TEMP CHART

REF	SIZE	TORQUE Nm	REF	SIZE	Kv	TORQUE :
80062-01	1/8"	N/A	80062-01	1/8"	2.8	- The liquid listed in the table are initial breakaway torques, taken with liquids and lubricant media. - Please regard these as approximate values, as the objective value on different factors like pressure, medium, rubber
80062-02	1/4"	N/A	80062-02	1/4"	3.5	
80062-03	3/8"	N/A	80062-03	3/8"	5	
80062-04	1/2"	N/A	80062-04	1/2"	8	
80062-05	3/4"	N/A	80062-05	3/4"	13	

PRESSURE AND TEMPERATURE CHART

GENEBRE



Genebre is a leading company and world reference in fluid control and high-quality taps. They control all the creation processes, responding to the specific needs of each market: from the initial concept and design of the product to the production and commercialization.



T +44 (0)1386 552369

E sales@allvalves.co.uk

W www.allvalves.co.uk

F +44 (0)1386 554227