



## Main Features:-

- ◆ Full Bore Ball Valve
- ◆ DN10 to DN25 PN25
- ◆ BSP F-F Ends
- ◆ Working Temperature  $-20^{\circ}\text{C}$  to  $110^{\circ}\text{C}$  \*
- ◆ Maximum working pressure 25 bar

\*Temperature and pressure determined by valve body, seat etc.



## Suitable Applications & Approvals:



HVAC



OIL



GAS



INDUSTRY

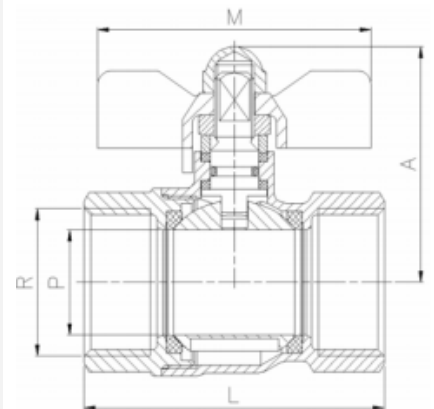
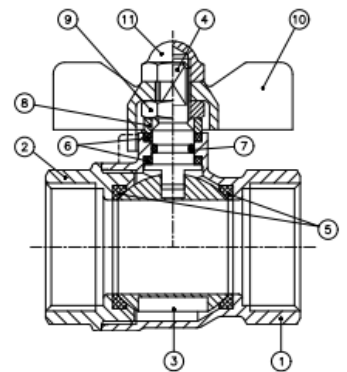
## SERIES: 80056

MANUFACTURER: **GENEBRE**

VALVE MATERIALS & DIMENSIONS

ITEM	SECTION	MATERIAL	ADDITIONAL INFO / OPTIONS
1	Body	Brass	Peened + Chromed
2	Cap	Brass	Peened + Chromed
3	Ball	Brass	Chrome Plated
4	Stem	Brass	Chrome Plated
5	Ball Seat	PTFE	n/a
6	Stem Packing	PTFE	n/a
7	O'Ring	NBR	n/a
8	Stem Ring	Brass	Chrome Plated
9	Nut	Brass	Chrome Plated
10	T-Handle	Aluminium	Painted
11	Nut	Brass	Chrome Plated

REF	SIZE	DN	P	A	L	M	Kg
80056-02	1/4"	10	10	38	40	50	0.090
80056-03	3/8"	10	10	38	43	50	0.100
80056-04	1/2"	15	15	40	49	50	0.145
80056-05	3/4"	20	20	50	56	62	0.240
80056-06	1"	25	25	53	68	62	0.360



T +44 (0)1386 552369

E sales@allvalves.co.uk

W www.allvalves.co.uk

F +44 (0)1386 554227





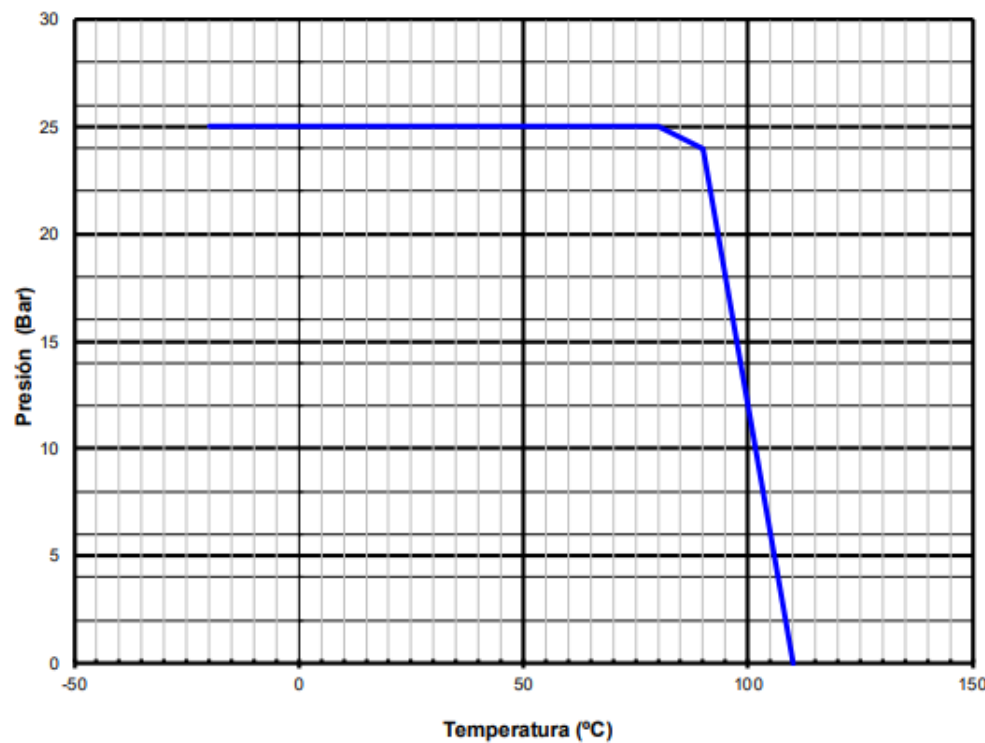
Genebre are a global brand of industrial valves with large stocks held for fast delivery on various type of valves, sizes, end connections and materials.

**SERIES: 80056**

TORQUE / Kv VALUES / PRESSURE & TEMP CHART

REF	SIZE	TORQUE Nm	REF	SIZE	Kv	TORQUE :
80056-02	1/4"	N/A	80056-02	1/4"	3.5	<p>- The liquid listed in the table are initial breakaway torques, taken with liquids and lubricant media.</p> <p>- Please regard these as approximate values, as the objective value on different factors like pressure, medium, rubber</p>
80056-03	3/8"	N/A	80056-03	3/8"	5.5	
80056-04	1/2"	N/A	80056-04	1/2"	16	
80056-05	3/4"	N/A	80056-05	3/4"	30	
80056-06	1"	N/A	80056-06	1"	45	

## PRESSURE AND TEMPERATURE CHART



## GENEBRE

Genebre is a leading company and world reference in fluid control and high-quality taps. They control all the creation processes, responding to the specific needs of each market: from the initial concept and design of the product to the production and commercialization.



T +44 (0)1386 552369

E sales@allvalves.co.uk

W www.allvalves.co.uk

F +44 (0)1386 554227