



Main Features:-

- ◆ Full Port Ball Valve
- ◆ DN10 to DN50 PN40
- ◆ Female BSP Ends
- ◆ Working Temperature -20°C to 110°C *
- ◆ Working by means of s. steel lever handle

*Temperature and pressure determined by valve body, seat etc.



Suitable Applications & Approvals:



HVAC



OIL



GAS



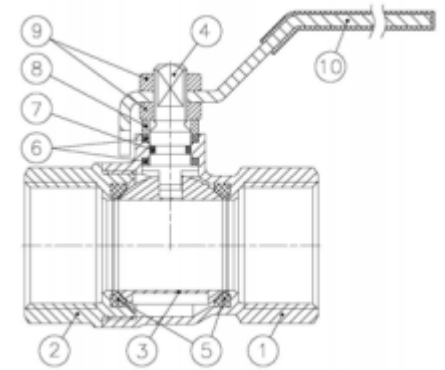
INDUSTRY

SERIES: 80049

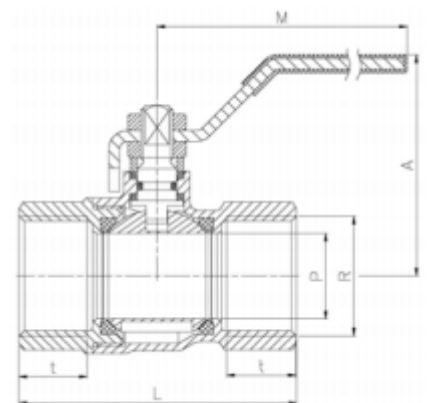
MANUFACTURER: **GENEBRE**

VALVE MATERIALS & DIMENSIONS

ITEM	SECTION	MATERIAL	ADDITIONAL INFO / OPTIONS
1	Body	Brass	Peened + Chromed
2	Cap	Brass	Peened + Chromed
3	Ball	Brass	Chrome Plated
4	Stem	Brass	Chrome Plated
5	Ball Seat	PTFE	n/a
6	Stem Packing	PTFE	n/a
7	O'Ring	NBR	n/a
8	Stem Ring	Brass	Chrome Plated
9	Nut	Brass	Chrome Plated
10	Handle	Stainless Steel	n/a



REF	SIZE	DN	P	A	L	M	Kg
80049-02	1/4"	10	10	45	48	84	0.135
80049-03	3/8"	10	10	45	50	84	0.135
80049-04	1/2"	15	14	47	58	84	0.180
80049-05	3/4"	20	19	58	65	98	0.285
80049-06	1"	25	24	61	78	98	0.450
80049-07	1 1/4"	32	30.5	74	88	126	0.715
80049-08	1 1/2"	40	37.5	80	105	126	1.075
80049-09	2"	50	47	91	122	158	1.645



T +44 (0)1386 552369

E sales@allvalves.co.uk

W www.allvalves.co.uk

F +44 (0)1386 554227



Genebre are a global brand of industrial valves with large stocks held for fast delivery on various type of valves, sizes, end connections and materials.

SERIES: 80049

TORQUE / Kv VALUES / PRESSURE & TEMP CHART

REF	SIZE	TORQUE Nm	REF	SIZE	Kv
80049-02	1/4"	N/A	80049-02	1/4"	6
80049-03	3/8"	N/A	80049-03	3/8"	12
80049-04	1/2"	N/A	80049-04	1/2"	24
80049-05	3/4"	N/A	80049-05	3/4"	43
80049-06	1"	N/A	80049-06	1"	83
80049-07	1 1/4"	N/A	80049-07	1 1/4"	130
80049-08	1 1/2"	N/A	80049-08	1 1/2"	205
80049-09	2"	N/A	80049-09	2"	340

TORQUE :

- The liquid listed in the table are initial breakaway torques, taken with liquids and lubricant media.
- Please regard these as approximate values, as the objective value on different factors like pressure, medium, rubber

PRESSURE AND TEMPERATURE CHART

GENEBRE

Genebre is a leading company and world reference in fluid control and high-quality taps. They control all the creation processes, responding to the specific needs of each market: from the initial concept and design of the product to the production and commercialization.

