



Main Features:-

- ◆ Wafer type, full bore with heating jacket
- ◆ 1" to 4"
- ◆ Heating Jacket connection 3/4" G
- ◆ Working Temperature -20 to +180C *
- ◆ Ball seats PTFE

*Temperature and pressure determined by valve body, seat etc.



SERIES: 80043

MANUFACTURER: **GENEBRE**

Suitable Applications & Approvals:



HVAC



OIL



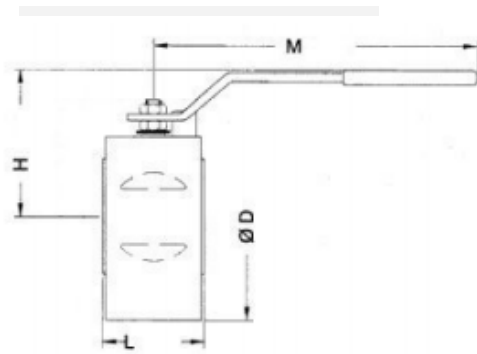
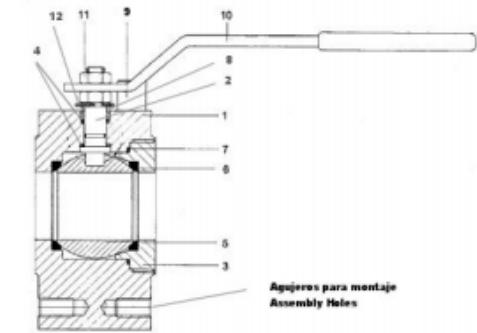
GAS



INDUSTRY

VALVE MATERIALS & DIMENSIONS

ITEM	SECTION	MATERIAL	ADDITIONAL INFO / OPTIONS
1	Body	ASTM A 105	Painted
2	Stem	SS 304	Spare Part Number I2110
3	Plug	SS 304	n/a
4	Washer	PTFE	Spare Part Number 2925
5	Ball	SS 304	Spare Part Number 2809
6	Ball Stem	PTFE	Spare Part Number 2925
7	Gasket	PTFE	Spare Part Number 2925
8	Stem Packing	Steel	Zinc Plated
9	Stopper	Steel	Zinc Plated
10	Handle	Steel	Zinc Plated
11	Nut	Steel	Zinc Plated



REF	SIZE	n x d	ØD	H	L	M	Kg
80043-06	1"	4 x M12	108	95	46	185	3.05
80043-07	1 1/4"	4 x M16	128	110	55	280	4.73
80043-08	1 1/2"	4 x M16	138	110	66	280	6.4
80043-09	2"	4 x M16	148	120	72	280	8.2
80043-10	2 1/2"	4 x M16	168	150	98	360	13.5
80043-11	3"	4 x M16	188	160	120	360	20.3
80043-12	4"	4 x M16	220	180	140	480	32.4



T +44 (0)1386 552369

E sales@allvalves.co.uk

W www.allvalves.co.uk

F +44 (0)1386



Genebre are a global brand of industrial valves with large stocks held for fast delivery on various type of valves, sizes, end connections and materials.

SERIES: 80043

TORQUE / Kv VALUES / PRESSURE & TEMP CHART

REF	SIZE	TORQUE Nm	REF	SIZE	Kv
80043-06	1"	8-12	80043-06	1"	83
80043-07	1 1/4"	13-18	80043-07	1 1/4"	130
80043-08	1 1/2"	13-18	80043-08	1 1/2"	205
80043-09	2"	13-18	80043-09	2"	340
80043-10	2 1/2"	19-24.5	80043-10	2 1/2"	520
80043-11	3"	19-24.5	80043-11	3"	110
80043-12	4"	19-24.5	80043-12	4"	1820

TORQUE :

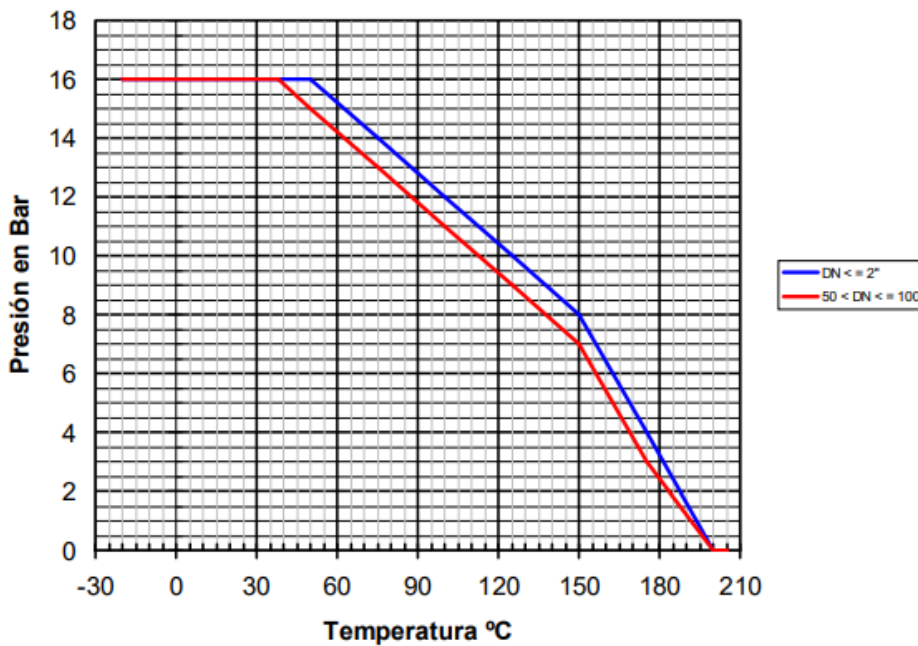
- The liquid listed in the table are initial breakaway torques, taken with liquids and lubricant media.

- Please regard these as approximate values, as the objective value on different factors like pressure, medium, rubber,

KV VALUES:

- The Kv values (M3 per hour) is the flow of water at a temperature of 5C to 30C (41F to 86F) at p of 1 bar

PRESSURE AND TEMPERATURE CHART



ALL VALVES

Offering a full range of actuated valve packages, manual valve range, pipe fittings and pumps, we have a product for all your requirements. As an ISO 9001-2015 Quality Approved and certified company, All Valves offer a quality service from pre-sale to post sale. Shipping millions of pounds in value of manual valve and actuated valve packages all over the world since its formation, All Valves are a trusted valve and actuator supplier to many companies all over the world. Working with the leading brands in most industries.

GENEBRE

Genebre is a leading company and world reference in fluid control and high-quality taps. They control all the creation processes, responding to the specific needs of each market: from the initial concept and design of the product to the production and commercialization.

In the Industrial line of Genebre products you will find a wide range of industrial valves and their accessories, sanitary line valves, automated valves and control valves, stainless steel fittings, different elements for industrial instrumentation and all spare parts for valves sphere.



T +44 (0)1386 552369

E sales@allvalves.co.uk

W www.allvalves.co.uk

F +44 (0)1386