



Main Features:-

- ◆ 3 Ways Full Bore Ball Valve
- ◆ DN25 to DN100 PN16 (PN40 up to DN50)
- ◆ Max. pressure: 16/40 BAR depending on size.
- ◆ Working Temperature -30 to +180C *

*Temperature and pressure determined by valve body, seat etc.

Suitable Applications & Approvals:



HVAC



OIL



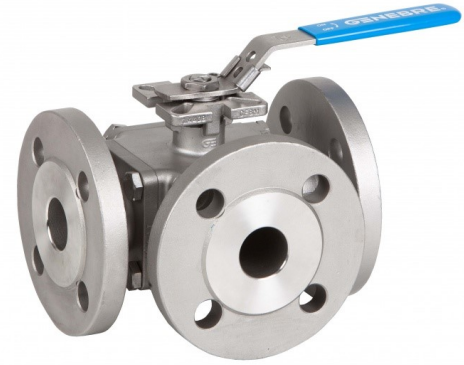
GAS



INDUSTRY



ATEX

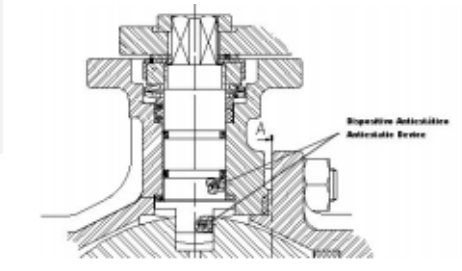
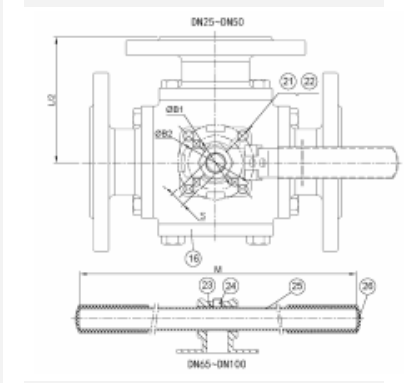
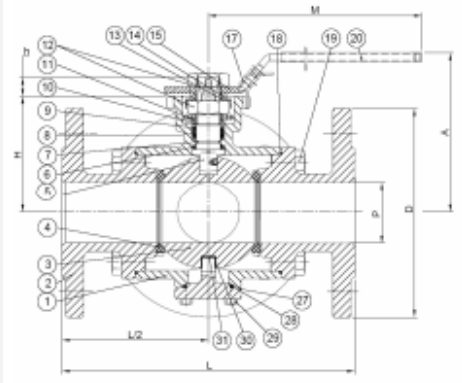


SERIES: 80039

MANUFACTURER: **GENEBRE**

VALVE MATERIALS & DIMENSIONS

ITEM	SECTION	MATERIAL	ADDITIONAL INFO / OPTIONS
1	Body	Stainless Steel 1.4408	Shot blasted
2	Cap	Stainless Steel 1.4408	Shot blasted
3	Ball	Stainless Steel 1.4408	Spares Part Number: B2540
4	Ball Seat	PTFE + 15 GF	Spares Part Number: 2928
5	Stem	SS 316	n/a
6	Thrust Washer	PTFE	Spares Part Number: 2928
7	O'Ring	FKM	Spares Part Number: 2928
8	Stem Packing	PTFE	Spares Part Number: 2928
9	Bushing	Inox.+PTFE/SS+PTFE	Spares Part Number: 2928
11	Spring Washer	SS 301	n/a
14	Washer	SS304	n/a
18	Gasket	PTFE	n/a
19	Bolt	SS304	n/a
31	Disc	PTFE	n/a



REF	SIZE	PN	L	ØD	H	A	M	S	ISO	Kg
80039-06	1"	40	180	115	68	99	175	11	F04/F05	8.6
80039-07	1 1/4"	40	190	140	72	103	175	11	F04/F05	11.8
80039-08	1 1/2"	40	212	150	85	119	200	16	F05/F07	14.7
80039-09	2"	40	230	165	92	126	200	16	F05/F07	19.7
80039-10	2 1/2"	16	290	185	107	172	400	17	F07/F10	33.3
80039-11	3"	16	310	200	119	187	400	17	F07/F10	47.1
80039-12	4"	16	350	220	150	214	400	22	F10	73.7



Genebre are a global brand of industrial valves with large stocks held for fast delivery on various type of valves, sizes, end connections and materials.

SERIES: 80039

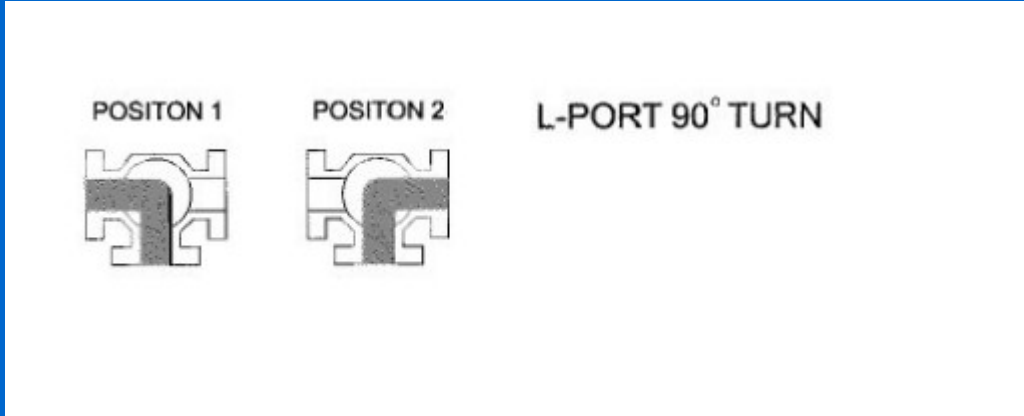
TORQUE / Kv VALUES / PRESSURE & TEMPERATURE CHART

REF	SIZE	TORQUE Nm	REF	SIZE	Kv
80039-06	1"	21	80039-06	1"	39
80039-07	1 1/4"	28	80039-07	1 1/4"	50
80039-08	1 1/2"	38	80039-08	1 1/2"	96
80039-09	2"	51	80039-09	2"	192
80039-10	2 1/2"	82	80039-10	2 1/2"	264
80039-11	3"	135	80039-11	3"	351
80039-12	4"	225	80039-12	4"	653

TORQUE :

- The liquid listed in the table are initial breakaway torques, taken with liquids and lubricant media.
- Please regard these as approximate values, as the objective value on different factors like pressure, medium, rubber,

Flow Patterns for " L-PORT" 3 way valves 90°

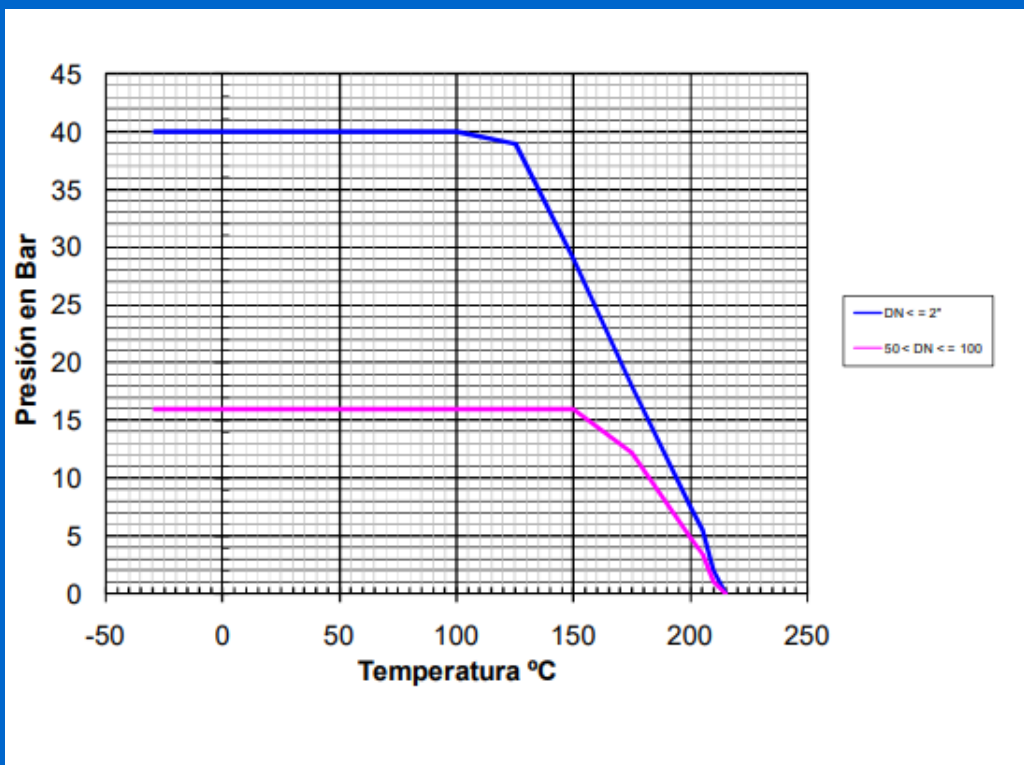


KV Values

The Kv values (M3 per hour) is the flow of water at a temperature of 5C to 30C (41F to 86F) at p of 1 bar

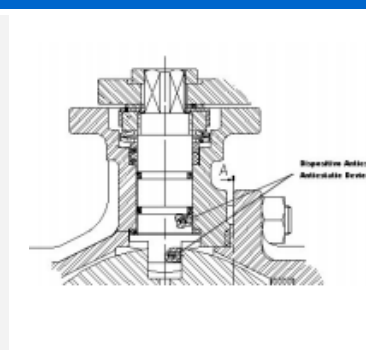
- For further information, please email sales@allvalves.co.uk

PRESSURE AND TEMPERATURE CHART



(1 bar = 0,1 MPa ; 1 MPa = 1 N/mm²)

Anti-static Device



This device ensures the electrical continuity between Ball - Stem - Body, this is of special need in flammable

