



Main Features:-

- ◆ Full Port Ball Valve, 3 Pieces
- ◆ 1/4" to 4",
- ◆ 80026—Socket Weld, 80025-NPT
- ◆ Working Temperature -25 to +180C *
- ◆ Max. Working pressure 1000 WOG

*Temperature and pressure determined by valve body, seat etc.



Suitable Applications & Approvals:



HVAC



OIL



GAS



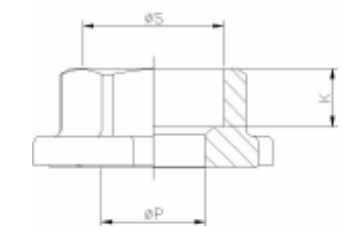
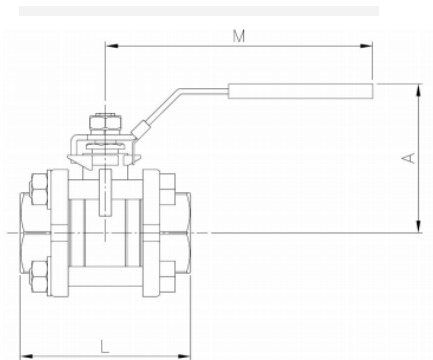
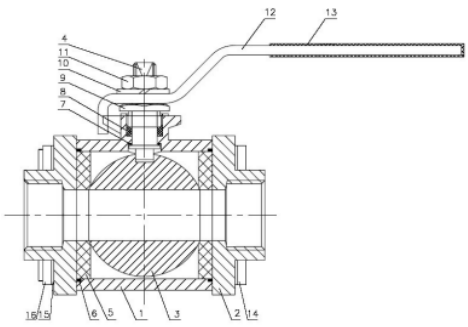
INDUSTRY

80024/80025/80026

MANUFACTURER: **GENEBRE**

VALVE MATERIALS & DIMENSIONS

ITEM	SECTION	MATERIAL	ADDITIONAL INFO / OPTIONS
1	Ball	Carbon Steel WCB	Phosphatized
2	Cap	Carbon Steel WCB	Phosphatized
3	Ball	SS 316	n/a
4	Stem	SS 316	n/a
5	Ball Seat	PTFE + 15% G.F.	Spare Part Code: 2838
6	Gasket	PTFE	Spare Part Code: 2838
7	Thrust Washer	PTFE	Spare Part Code: 2838
8	Stem Packing	PTFE	Spare Part Code: 2838
9	Gland	SS 304	n/a
10	Spring Washer	SS 304	n/a
11	Nut	SS 304	n/a



Socket Weld end According

ANSI B 16.11

REF	SIZE	WOG	BORE	A	L	M	Kg
8002x-02	1/4"	1000	11.6	48	50	100	0.29
8002x-03	3/8"	1000	11.6	48	50	100	0.29
8002x-04	1/2"	1000	15	50	31	103	0.39
8002x-05	3/4"	1000	20	60	70	127	0.61
8002x-06	1"	1000	25	64	80	127	0.86
8002x-07	1 1/4"	1000	32	79	93	154	1.37
8002x-08	1 1/2"	1000	40	85	102	154	2.04
8002x-09	2"	1000	50	87	124	192	3.74
8002x-10	2 1/2"	1000	65	117	156	244	6.44
8002x-11	3"	1000	80	125	179	244	10.2
8002x-12	4"	1000	100	173	218	330	20.49

T +44 (0)1386 552369

E sales@allvalves.co.uk

W www.allvalves.co.uk

F +44 (0)1386



Genebre are a global brand of industrial valves with large stocks held for fast delivery on various type of valves, sizes, end connections and materials.

80024/80025/80026

TORQUE / Kv VALUES / PRESSURE & TEMP CHART

REF	SIZE	P	K	ØS		GENEBRE
8002x-02	1/4"	11.6	10	14.1	<p><i>NOTE:</i></p> <p><i>This table is only relevant to the 2034S Socket Weld series.</i></p>	<p>In the Industrial line of Genebre products you will find a wide range of industrial valves and their accessories, sanitary line valves, automated valves and control valves, stainless steel fittings, different elements for industrial instrumentation and all spare parts for valves sphere.</p>
8002x-03	3/8"	11.6	10	17.6		
8002x-04	1/2"	15	10	21.7		
8002x-05	3/4"	20	14	27.1		
8002x-06	1"	25	14	33.8		
8002x-07	1 1/4"	32	15	42.6		
8002x-08	1 1/2"	40	15	48.7		
8002x-09	2"	50	19	61.1		
8002x-10	2 1/2"	65	21	73.8		
8002x-11	3"	80	24	89.8		
8002x-12	4"	100	35	115.5		

REF	SIZE	TORQUE Nm	REF	SIZE	Kv	TORQUE :
8002x-02	1/4"	8-11	8002x-02	1/4"	6	<p>- The liquid listed in the table are initial breakaway torques, taken with liquids and lubricant media.</p> <p>- Please regard these as approximate values, as the objective value on different factors like pressure, medium, rubber</p>
8002x-03	3/8"	8-11	8002x-03	3/8"	10	
8002x-04	1/2"	5-11	8002x-04	1/2"	24	
8002x-05	3/4"	13.5-16	8002x-05	3/4"	43	
8002x-06	1"	13.5-16	8002x-06	1"	83	
8002x-07	1 1/4"	22-25	8002x-07	1 1/4"	130	
8002x-08	1 1/2"	22-25	8002x-08	1 1/2"	205	
8002x-09	2"	22-25	8002x-09	2"	340	
8002x-10	2 1/2"	74.5-81	8002x-10	2 1/2"	520	
8002x-11	3"	74.5-81	8002x-11	3"	1100	
8002x-12	4"	74-5-81	8002x-12	4"	1820	

PRESSURE AND TEMPERATURE CHART

GENEBRE

Genebre is a leading company and world reference in fluid control and high-quality taps. They control all the creation processes, responding to the specific needs of each market: from the initial concept and design of the product to the production and commercialization.



T +44 (0)1386 552369

E sales@allvalves.co.uk

W www.allvalves.co.uk

F +44 (0)1386