

## Main Features:-

- ◆ Full Port Ball Valve, 3 Pieces
- ◆ 1/4" to 4" PN63
- ◆ 2025N—NPT, 2025V—V Control Ball
- ◆ Working Temperature —25 to + 180C \*
- ◆ Direct mounting ISO 5211

\*Temperature and pressure determined by valve body, seat etc.

## Suitable Applications & Approvals:



HVAC



OIL



GAS



INDUSTRY

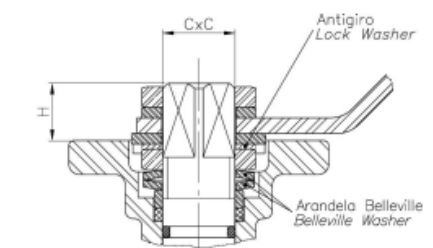
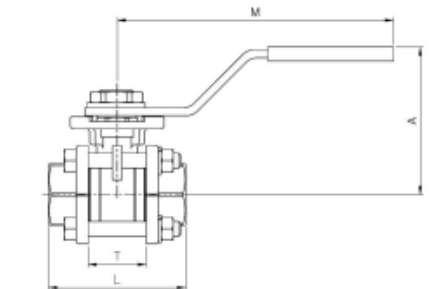
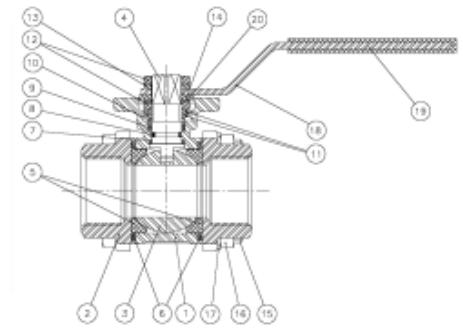


## 800016/17/18/19/20

MANUFACTURER: **GENEBRE**

VALVE MATERIALS & DIMENSIONS

ITEM	SECTION	MATERIAL	ADDITIONAL INFO / OPTIONS
1	Ball	Stainless Steel 1.4408	Shot blasted
2	Cap	Stainless Steel 1.4408	Shot blasted
3	Ball	Stainless Steel 1.4408	Polishing
4	Stem	Stainless Steel AISI 316	Spare Part Code 2905
5	Ball Seat	PTFE + 15 GF	Spare Part Code 2820
6	Gasket	PTFE + Graphite	Spare Part Code 2820
7	Thrust Washer	PTFE + Graphite	Spare Part Code 2820
8	O Ring	FKM	Spare Part Code 2820
9	Stem Packing	PTFE	Spare Part Code 2820
10	Gland	AISI 304	n/a
11	Belleville Washer	AISI 301	n/a



\* applies to 80016, 80017, 80018, 80019, 80020

REF	SIZE	PN	PORT	A	L	M	T	Kg
80016-02*	1/4"	63	11	60	47.6	112	23	0.39
80016-03*	3/8"	63	12.7	60	47.6	112	23	0.38
80016-04*	1/2"	63	15	60	56	112	24	0.44
80016-05*	3/4"	63	20	70	73	138	30	0.82
80016-06*	1"	63	25	70	82	138	33.5	1.02
80016-07*	1 1/4"	63	32	88	91	160	41.5	1.79
80016-08*	1 1/2"	63	40	94	104	205	51.5	2.46
80016-09*	2"	63	50	100	120	205	63	3.47
80016-10*	2 1/2"	63	65	150	155	330	83.5	8.5
80016-11*	3"	63	80	165	182	330	100	12.4
80016-12*	4"	63	100	175	220	340	118.5	19.65

T +44 (0)1386 552369

E sales@allvalves.co.uk

W www.allvalves.co.uk

F +44 (0)1386



Genebre are a global brand of industrial valves with large stocks held for fast delivery on various type of valves, sizes, end connections and materials.

800016/17/18/19/20

TORQUE / Kv VALUES / PRESSURE / TEMP CHART

REF	SIZE	PN	H	CxC	ISO 5211	GENEBRE
80016-02*	1/4"	63	10	9x9	F03	
80016-03*	3/8"	63	10	9x9	F03	
80016-04*	1/2"	63	11	9x9	F03/F04	
80016-05*	3/4"	63	11	11x11	F04/F05	
80016-06*	1"	63	11	11x11	F04/F05	
80016-07*	1 1/4"	63	15	14x14	F05/F07	
80016-08*	1 1/2"	63	15	14x14	F05/F07	
80016-09*	2"	63	15	14x14	F05/F07	
80016-10*	2 1/2"	63	19	17x17	F07/F10	
80016-11*	3"	63	19	17x17	F07/F10	
80016-12*	4"	63	19	17x17	F07/F10	

\* applies to 80016, 80017, 80018, 80019, 80020

### GENEBRE

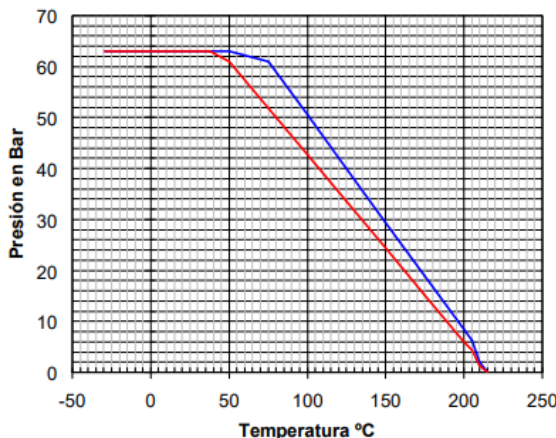
In the Industrial line of Genebre products you will find a wide range of industrial valves and their accessories, sanitary line valves, automated valves and control valves, stainless steel fittings, different elements for industrial instrumentation and all spare parts for valves sphere.

REF	SIZE	TORQUE Nm	REF	SIZE	Kv	TORQUE :
80016-02*	1/4"	4-5	80016-02*	1/4"	6	
80016-03*	3/8"	4-5	80016-03*	3/8"	12	
80016-04*	1/2"	4-5	80016-04*	1/2"	24	
80016-05*	3/4"	7-8	80016-05*	3/4"	43	
80016-06*	1"	9-10	80016-06*	1"	83	
80016-07*	1 1/4"	12-14	80016-07*	1 1/4"	130	
80016-08*	1 1/2"	18-20	80016-08*	1 1/2"	205	
80016-09*	2"	28-30	80016-09*	2"	340	
80016-10*	2 1/2"	34-36	80016-10*	2 1/2"	520	
80016-11*	3"	58-60	80016-11*	3"	1100	
80016-12*	4"	90-95	80016-12*	4"	1820	

- The liquid listed in the table are initial breakaway torques, taken with liquids and lubricant media.  
- Please regard these as approximate values, as the objective value on different factors like pressure, medium, rubber

\* applies to 80016, 80017, 80018, 80019, 80020

### PRESSURE AND TEMPERATURE CHART



### GENEBRE

Genebre is a leading company and world reference in fluid control and high-quality taps. They control all the creation processes, responding to the specific needs of each market: from the initial concept and design of the product to the production and commercialization.



T +44 (0)1386 552369

E sales@allvalves.co.uk

W www.allvalves.co.uk

F +44 (0)1386

Genebre are a global brand of industrial valves with large stocks held for fast delivery on various type of valves, sizes, end connections and materials.

800016/17/18/19/20

## 'V' Control Ball Valve

- Features, dimensions and materials see the main part of the datasheet
- Configuration of 'V' ball : 30° - 60° - 90°
- Installation: see the arrow flow direction



'V' CONTROL BALL VALVE Kv Values

REF	DN	'V'	10%	20%	30%	40%	50%	60%	70%	80%	90%	100%
80017-04		30°	0	0	0.08	0.24	0.51	0.87	1.26	1.85	2.44	3.29
80018-04	15	60°	0	0	0.12	0.39	0.83	1.33	2.16	3.27	4.68	7.18
80019-04		90°	0	0	0.16	0.53	0.98	1.82	2.96	4.79	8.19	10.81
80017-05		30°	0	0.01	0.18	0.48	0.97	1.75	2.61	3.66	4.83	6.2
80018-05	20	60°	0	0.01	0.27	0.79	1.55	2.63	4.13	6.27	9.13	13.69
80019-05		90°	0	0.02	0.33	0.98	2.01	3.44	5.53	8.92	14.74	22.29
80017-06		30°	0	0.13	0.47	1	1.75	2.67	3.86	5.58	6.55	9.25
80018-06	25	60°	0	0.15	0.64	1.51	2.71	4.42	6.57	9.54	13.44	20.45
80019-06		90°	0	0.22	1.01	2.07	3.76	5.9	8.89	14.2	23.8	34.5
80017-07		30°	0	0.25	0.78	1.65	2.87	4.4	6.29	7.94	10.63	13.75
80018-07	32	60°	0	0.31	1.16	2.54	4.55	7.12	10.4	15.3	20.3	31.8
80019-07		90°	0	0.36	1.88	3.38	5.84	9.85	14.89	21.45	32.61	52.9
80017-08		30°	0	0.32	0.95	2.15	3.42	5.79	8.65	11.12	14.58	20.05
80018-08	40	60°	0	0.56	1.7	3.8	6.9	10.85	15.23	21.95	30.5	45.38
80019-08		90°	0	0.55	2.56	4.93	8.36	14.46	21.15	30.3	51.4	95.35
80017-09		30°	0	0.62	2.07	4.21	6.94	10.29	14.52	19.28	24.9	31.65
80018-09	50	60°	0	0.89	3.22	6.43	10.91	16.69	24.68	31.53	49.61	68.42
80019-09		90°	0	1.23	4.32	8.69	13.96	21.57	33.59	45.43	74.58	131.5
UPON REQUEST		30°	0	1.68	3.88	7.8	12.4	19.6	26.7	38.3	49.8	61.7
UPON REQUEST	65	60°	0	1.58	5.01	11.6	17.7	27.2	41.2	62.8	83.7	117.2
UPON REQUEST		90°	0	1.39	9.08	16.4	25.4	39.5	65.6	93.2	140.6	197
UPON REQUEST		30°	0	0.5	3.9	9.45	115.2	23.3	3.4	45.2	62.7	81.8
UPON REQUEST	80	60°	0	1.14	10.5	12.3	21.5	42.1	64	78.3	105.9	148.1
UPON REQUEST		90°	0	1.63	9.1	17.3	29.9	50.4	77.4	122.6	182.9	302.7
UPON REQUEST		30°	0	3.1	8.3	15.2	27.3	41.8	56.7	78.5	102.5	124.8
UPON REQUEST	100	60°	0	5	11.9	19.3	40.3	63.2	92.5	135.9	189.9	258.6
UPON REQUEST		90°	0	5.6	18.9	33.8	57.1	86.7	132.8	204.6	312.8	507.7