



Main Features:-

- ◆ 2PC Full Port Ball Valve
- ◆ 1/4" to 2" PN63
- ◆ Thread ends according to ISO 7-1
- ◆ Working Temperature -25 to +180C *
- ◆ Direct mounting ISO 5211

*Temperature and pressure determined by valve body, seat etc.



SERIES: 80015

MANUFACTURER: **GENEBRE**

Suitable Applications & Approvals:



HVAC



OIL



GAS



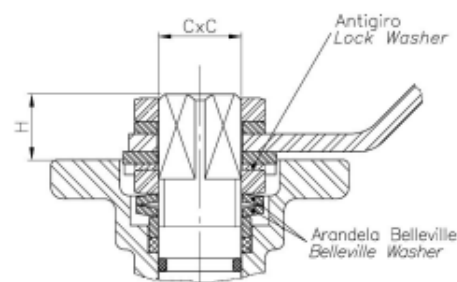
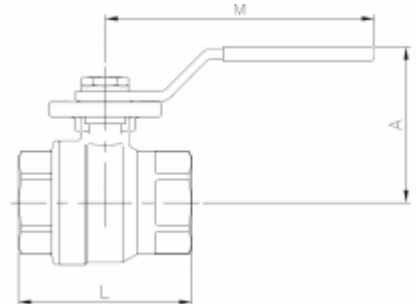
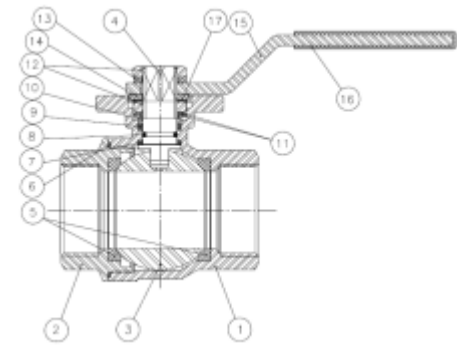
INDUSTRY

VALVE MATERIALS & DIMENSIONS

ITEM SECTION MATERIAL ADDITIONAL INFO / OPTIONS

1	Ball	Stainless Steel 1.4408	Shot blasted
2	Cap	Stainless Steel 1.4408	Shot blasted
3	Ball	Stainless Steel 1.4408	Polishing
4	Stem	Stainless Steel AISI 316	Spare Part Code 2907
5	Ball Seat	PTFE + 15 GF	Spare Part Code 2905
6	Gasket	PTFE	Spare Part Code 2822
7	Thrust Washer	PTFE + Graphite	Spare Part Code 2822
8	O Ring	FKM	Spare Part Code 2822
9	Gland	PTFE	Spare Part Code 2822
10	Stem Ring	AISI 304	n/a
11	Belleville Washer	AISI 301	n/a
12	Nut	AISI 304	n/a
13	Washer	AISI 304	n/a
14	Stopper	AISI 304	n/a

REF	SIZE	PN	A	CxC	H	L	M	ISO5211	Kg
80015-02	1/4"	63	62	9	10	50	112	F03	0.3
80015-03	3/8"	63	62	9	10	50	112	F03	0.3
80015-04	1/2"	63	63	9	11	55	112	F03/F04	0.35
80015-05	3/4"	63	70	11	11	70.5	138	F04/F05	0.56
80015-06	1"	63	70	11	11	83	138	F04/F05	0.78
80015-07	1 1/4"	63	88	14	15	91	160	F05/F07	1.35
80015-08	1 1/2"	63	94	14	15	103	205	F05/F07	1.9
80015-09	2"	63	100	14	15	120	205	F05/F07	2.83



T +44 (0)1386 552369

E sales@allvalves.co.uk

W www.allvalves.co.uk

F +44 (0)1386



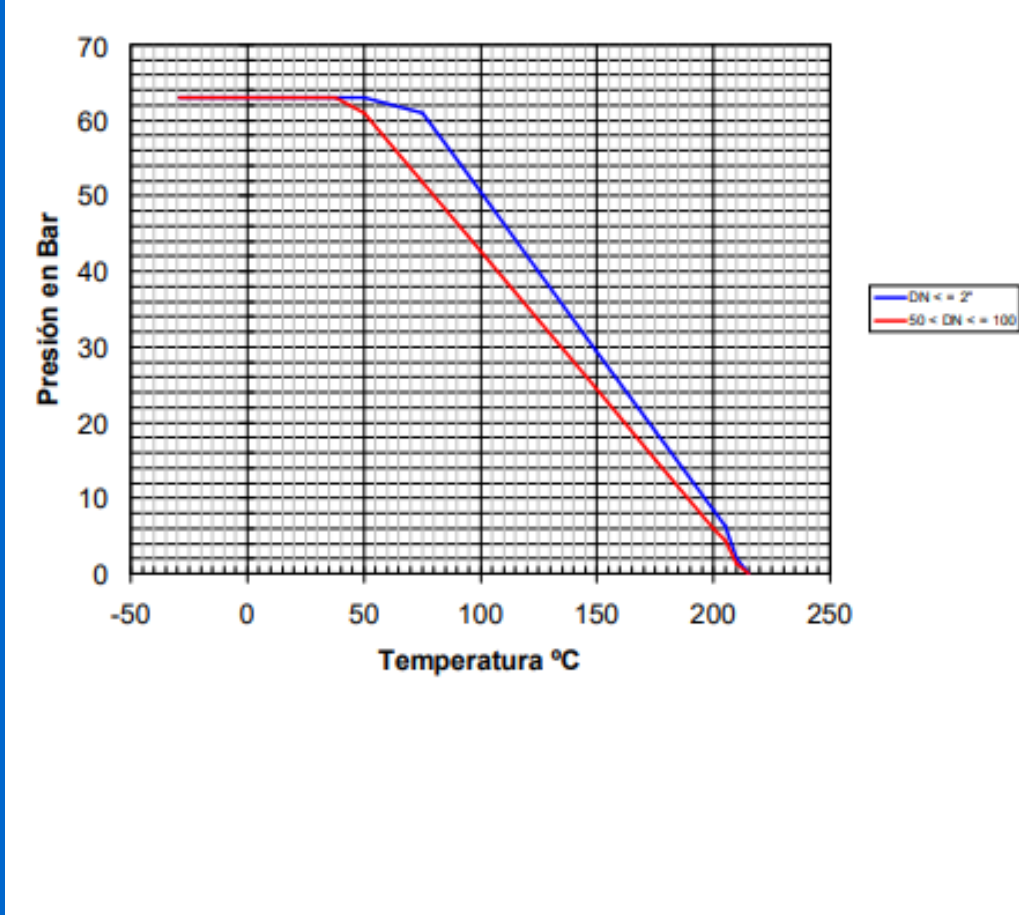
Genebre are a global brand of industrial valves with large stocks held for fast delivery on various type of valves, sizes, end connections and materials.

SERIES: 80015

TOI / UE / Kv VALUES / PRESSURE & TEMP CHART

REF	SIZE	TORQUE Nm	REF	SIZE	Kv	TORQUE :
80015-02	1/4"	4-5	80015-02	1/4"	6	<p>- The liquid listed in the table are initial breakaway torques, taken with liquids and lubricant media.</p> <p>- Please regard these as approximate values, as the objective value on different factors like pressure, medium, rubber</p>
80015-03	3/8"	4-5	80015-03	3/8"	10	
80015-04	1/2"	4-5	80015-04	1/2"	24	
80015-05	3/4"	7-8	80015-05	3/4"	43	
80015-06	1"	9-10	80015-06	1"	83	
80015-07	1 1/4"	12-14	80015-07	1 1/4"	130	
80015-08	1 1/2"	18-20	80015-08	1 1/2"	205	
80015-09	2"	28-30	80015-09	2"	340	

PRESSURE AND TEMPERATURE CHART GENEBRE



Genebre is a leading company and world reference in fluid control and high-quality taps. They control all the creation processes, responding to the specific needs of each market: from the initial concept and design of the product to the production and commercialization.

In the Industrial line of Genebre products you will find a wide range of industrial valves and their accessories, sanitary line valves, automated valves and control valves, stainless steel fittings, different elements for industrial instrumentation and all spare parts for valves sphere.

ALL VALVES

Offering a full range of actuated valve packages, manual valve range, pipe fittings and pumps, we have a product for all your requirements. As an ISO 9001-2015 Quality Approved and certified company, All Valves offer a quality service from pre-sale to post sale. Shipping millions of pounds in value of manual valve and actuated valve packages all over the world since its formation, All Valves are a trusted valve and actuator supplier to many companies all over the world. Working with the leading brands in most industries.

