

CEPEX Plastic Extreme Butterfly Valve Series

Industrial Plastic Butterfly Valve PP-H-GR

ALLVALVES
ONLINE

Main Features :-

Spanish made valves, CE marked.

Lugged pattern butterfly valve

Body in PP-H-GR

Disc options of PVC, CPVC, PP-H, ABS and PVDF

EPDM or FPM seat

SS shaft

Suitable for actuation



TYPE: CEPEX VALVES

Technical Details:-

TECHNICAL FEATURES AND RANGE

→ Medidas | Measures:

D63 (DN65) > D315 (DN300)

→ Presión nom. | Nom. pressure:

PN10 / 20°C (150 psi / 73°F) - DN65 - DN200
PN6 / 20°C (90 psi / 73°F) - DN250 - DN300

→ Standards:

ISO/DIN, ANSI/ASTM, British Standard, JIS

→ Material cuerpo | Body material:

PP-H - GR

→ Material disco | Disc material:

PVC-U, PVC-C, PP-H, PVDF, ABS

→ Mat. junta | Rubber seal mat.:

EPDM alimentario / Food grade
FPM

→ Mat. eje | Shaft material

Acero inoxidable / Stainless steel
AISI 630

→ Certificado CE | CE Certificate:

EN ISO 16135 / EN ISO 16136



→ Modos de actuación | Actuation types:

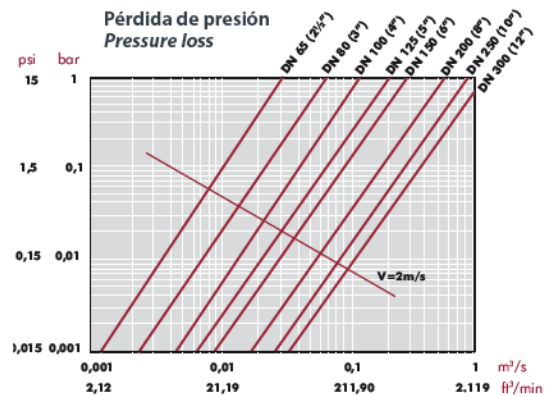
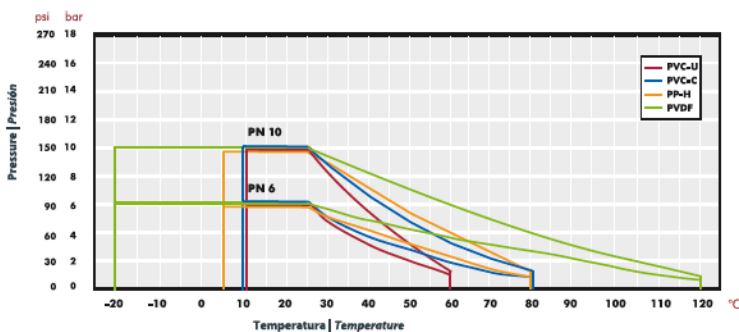
Manual (maneta/gatillo)
Manual (handle/lever lock)

Reductor manual
Gear box

Eje libre para actuación
Free shaft for actuation

Actuación eléctrica y neumática (Rotork)
Pneumatic and electric actuation (Rotork)

Presión vs. temperatura
Pressure vs. temperature



ISO 9001:2015 Accredited Company

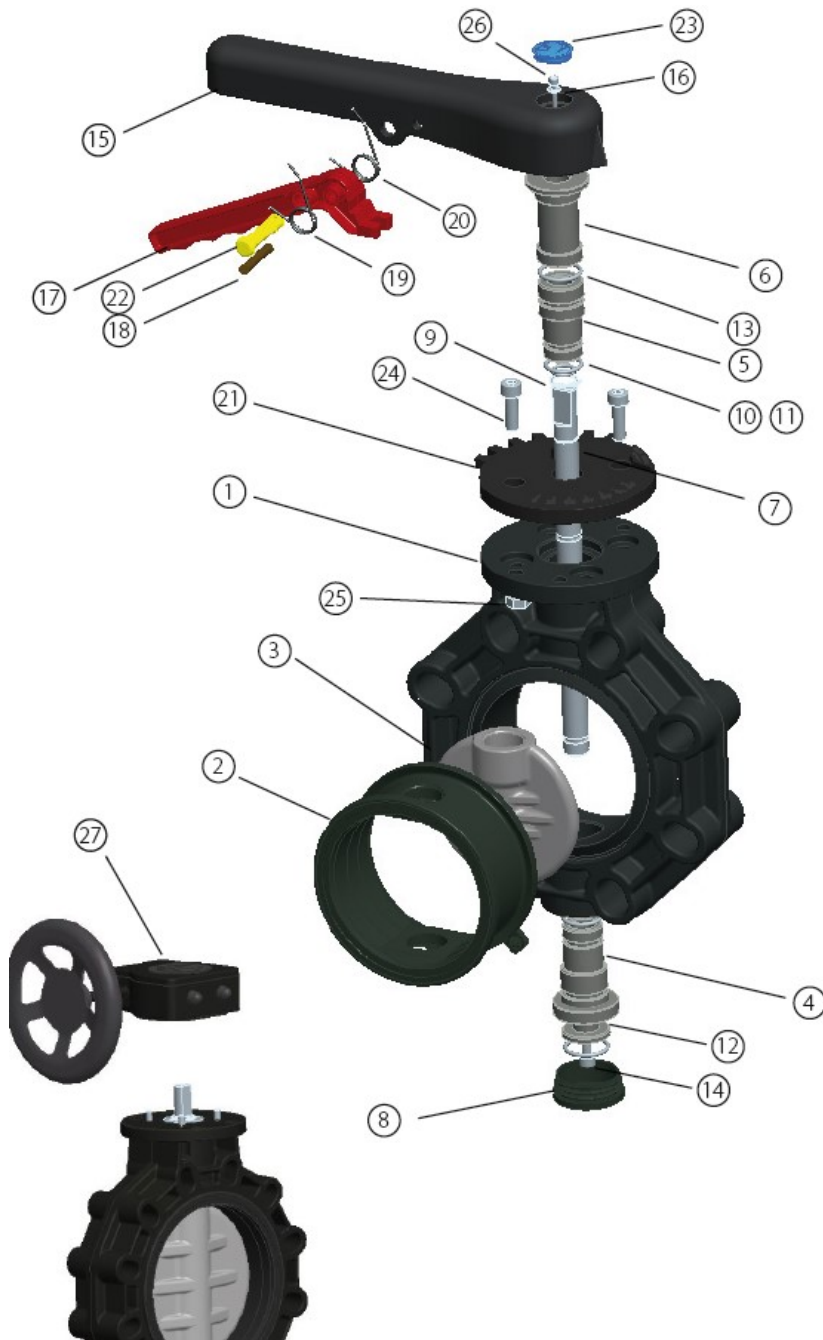
Tel: +44(0)1386 552369

Fax: +44(0)1386 554227

sales@allvalves.co.uk

www.allvalves.co.uk

Allvalves Online Ltd, Automation House, Unit 2, Pershore, WR10 2DF UK



DESPIECE | EXPLODED

Description	Material	
1	Cuerpo / Body	PP-GR
2	Junta / Sealing gasket	EPDM / FPM
3	Compuerta / Disc	PVC-U/PPH/CPVC/PVDF/ABS
4	Casquillo inferior / Lower bearing	POM
5	Casquillo superior / Upper bearing	POM
6	Casquillo auxiliar / Auxiliary bearing	POM
7	Eje / Shaft	AISI-630
8	Tapón / Cap	PP
9	Anillo DIN-471 / Ring DIN-471	A2
10	Junta tórica / O-ring	EPDM / FPM
11	Junta tórica / O-ring	EPDM / FPM
12	Arandela inferior / Lower washer	POM
13	Junta tórica / O-ring	EPDM / FPM
14	Tornillo DIN-912 / Screw DIN-912	A2
15	Maneta / Handle	PP-GR
16	Arandela / Washer	A2
17	Gatillo / Lever	PP-GR
18	Pasador / Pin	AISI-304
19	Muelle izquierda / Left spring	AISI-304
20	Muelle derecha / Right spring	AISI-304
21	Divisor / Throttle plate	PP-GR
22	Seguro / Safety lock	POM
23	Tapón maneta / Handle cap	PP
24	Tornillo DIN-912 / Screw DIN-912	A2
25	Tuerca DIN-934 / Nut DIN-934	A2
26	Tornillo DIN-912 / Screw DIN-912	A2
27	Reductor manual / Gear box	Aluminium

TYPE: CEPEX VALVES

D75 con maneta
D75 with handle



D75 con reductor
D75 with gear box



D90 con maneta
D90 with handle



D90 con reductor
D90 with gear box



D110 con maneta
D110 with handle



D110 con reductor
D110 with gear box



D160 con maneta
D160 with handle



D160 con reductor
D160 with gear box



D250 con reductor
D250 with gear box



D315 con reductor
D315 with gear box



D140 con maneta
D140 with handle



D140 con reductor
D140 with gear box



D200 con maneta
D200 with handle



D200 con reductor
D200 with gear box



ISO 9001:2015 Accredited Company

Tel: +44(0)1386 552369

Fax: +44(0)1386 554227

sales@allvalves.co.uk

www.allvalves.co.uk

Allvalves Online Ltd, Automation House, Unit 2, Pershore, WR10 2DF UK



DESPIECE | EXPLODED

Description	Material
1 Cuerpo / Body	-
2 Casquillo unión / Coupling bush	Aluminium
3 Brida unión / Mounting clamp	PVC-U
4 Actuador / Actuator	-
5 Caja final de carrera / Limit switch box (optional)	-
6 Tornillos DIN-912 / Screw DIN-912	Stainless steel AISI-304

Pneumatic actuation possibility in all versions of the butterfly valve Extreme Series.

Default actuator - Rotork model RC

Possibility of actuation using other brands or models, or preparing the valve for customer own actuation.

Actuation options

- Spring return with normally closed valve
- Spring return with normally open valve
- Doble acting

Optional accessories

- Limit switch box
- Solenoid valve (different configurations)
- Relief regulators

Note we use different brand of pneumatic actuator, Rotork used as example.

