

Actuation Centre - Actuated Valves Series 958P

Lugged Butterfly Valve PN16 Pneumatic Actuated



Main Features :-

| | |
|------------------------------|------------------------------|
| Ductile Iron body | Available with single acting |
| Stainless Steel Disc | Double acting actuator |
| EPDM and NBR liners | Switchbox |
| Option of PTFE, Viton liners | Solenoid |
| Flanged PN16 or PN10 | Electro pneumatic positioner |
| 2" to 20" | Assembled and Tested |
| Also suits ANSI 150 flanges | 8 bar rated |



TYPE: 958P PNEUMATIC

Technical Specifications and Key Dimensions:

Note image shows Genebre actuator.
Actuator brand subject to change.

| Specifications: | |
|---------------------------|------------------------------------|
| Actuator housing: | Hard anodised aluminium |
| Actuator ATEX rating: | ATEX II 2GD EExd |
| Actuator Temp rating: | -20 +80C |
| Actuator pressure rating: | 8 bar Max |
| Valve Approval: | EPDM available with WRAS approval. |
| Valve ends available: | PN16, PN10 or ANSI 150 |
| Size range: | 2" to 20" |
| Valve temp limits: | -10 to +120C |
| Valve pressure limits: | 16 bar |

Assembly Overview:-

A cost effective pneumatically operated stainless ball valve available in double acting (air to open air to close) or single acting (failsafe, air to open spring to close). Wafer butterfly valves great for low cost and compact size.

Don't forget your Switchboxes and / or Solenoid valve, positioner.

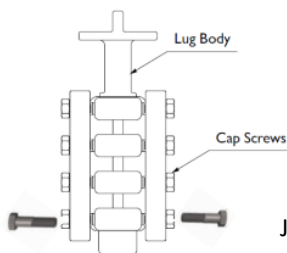
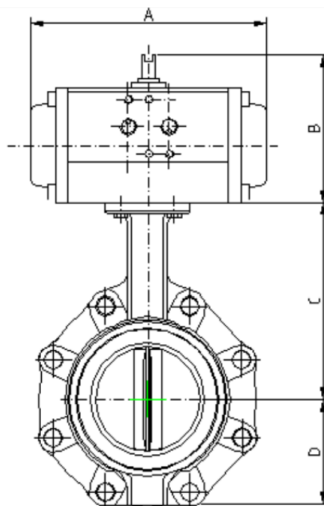


* Dimension E is face to face Dimension of valve body

| Size | Double Acting | | Single Acting | |
|--------|---------------|------|---------------|------|
| | E | H | E | H |
| 2" | 43 | Call | 43 | Call |
| 2 1/2" | 46 | Call | 46 | Call |
| 3" | 46 | Call | 46 | Call |
| 4" | 52 | Call | 52 | Call |
| 5" | 56 | Call | 56 | Call |
| 6" | 56 | Call | 56 | Call |
| 8" | 60 | Call | 60 | Call |
| 10" | 68 | Call | 68 | Call |
| 12" | 78 | Call | 78 | Call |

Did you know?

We can offer the above assembly with a stainless mounting kit for temperature applications above 70+C. Note this typically adds 50-70mm to the overall height of the assembly - dimension H. Use Lugged for end of line applications or Gas applications for tight



Just some of the Brands we offer:



ISO 9001:2015 Accredited Company

Tel: +44(0)1386 552369

Fax: +44(0)1386 554227

sales@allvalves.co.uk

www.allvalves.co.uk

Allvalves Online Ltd, Automation House, Unit 2, Pershore, WR10 2DF UK