

Actuation Centre - Actuated Valves Series 952P

Wafer Butterfly Valve PN10/16 Pneumatic Actuated



Main Features :-

Cast Iron body	Available with single acting
Stainless Steel Disc	Double acting actuator
EPDM and NBR liners	Switchbox
Option of PTFE, Viton liners	Solenoid
Flanged PN10/16 / ANSI 150	Electro pneumatic positioner
2" to 20"	Assembled and Tested
SS 316 body option	8 bar rated



TYPE: 952P PNEUMATIC

Technical Specifications and Key Dimensions:

Note image shows Genebre actuator.
Actuator brand subject to change.

Specifications:	
Actuator housing:	Hard anodised aluminium
Actuator ATEX rating:	ATEX II 2GD EExd
Actuator Temp rating:	-20 +80C
Actuator pressure rating:	8 bar Max
Valve Approval:	EPDM available with WRAS approval.
Valve ends available:	PN16
Size range:	2" to 20"
Valve temp limits:	-10 to +120C
Valve pressure limits:	16 bar

Assembly Overview:-

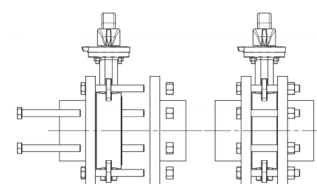
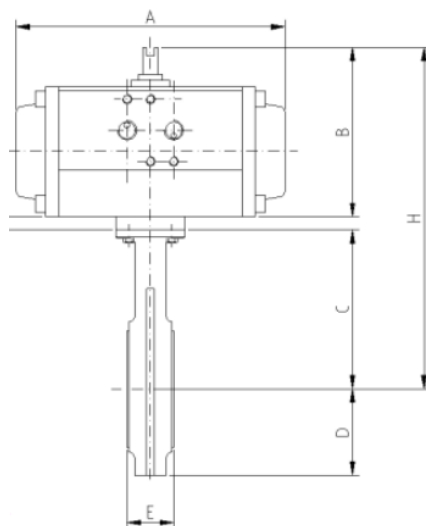
A cost effective pneumatically operated stainless ball valve available in double acting (air to open air to close) or single acting (failsafe, air to open spring to close). Wafer butterfly valves great for low cost and compact size.

Don't forget your Switchboxes and / or Solenoid valve, positioner.



Did you know?

We can offer the above assembly with a stainless mounting kit for temperature applications above 70+C. Note this typically adds 50-70mm to the overall height of the assembly - dimension H. Wafer valves are inline valves. Use Lugged for end of line.



Wafer butterfly valves are NOT suitable for end of line service.

Just some of the Brands we offer:



Size	Double Acting		Single Acting	
	E	H	E	H
2"	43	Call	43	Call
2 1/2"	46	Call	46	Call
3"	46	Call	46	Call
4"	52	Call	52	Call
5"	56	Call	56	Call
6"	56	Call	56	Call
8"	60	Call	60	Call
10"	68	Call	68	Call
12"	78	Call	78	Call
14"	78	Call	78	Call
16"	102	Call	102	Call

ISO 9001:2015 Accredited Company

Tel: +44(0)1386 552369

Fax: +44(0)1386 554227

sales@allvalves.co.uk

www.allvalves.co.uk

Allvalves Online Ltd, Automation House, Unit 2, Pershore, WR10 2DF UK

*Please note that all datasheet are generally generic and are subject to change without prior notice. They are for reference only.